

## **PAMPAS<sup>®</sup>**

### TPWM - Wall Mount

Classic architectural design

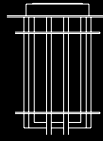
Three sizes - 10.5", 14" and 18.5"

Heavy gauge aluminum construction suitable  
for rigorous outdoor environments

Compact fluorescent or HID sources

Stainless steel hardware



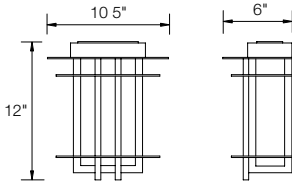


# PAMPAS®

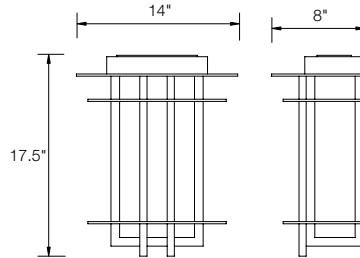
## TPWM - Wall Mount

### DIMENSIONS

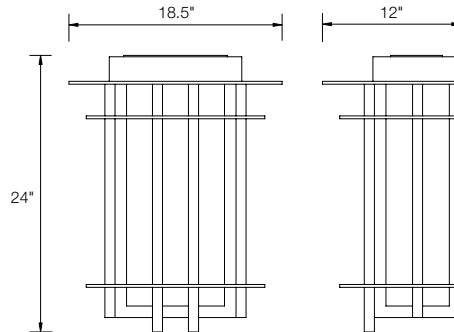
#### SMALL



#### MEDIUM



#### LARGE



### SPECIFICATIONS

#### SIZES

Small = 10.5" x 12"  
Medium = 14" x 17.5"  
Large = 18.5" x 24"

#### MOUNTING

Wall mount

#### COLOR

Textured or smooth polyester powder coat finishes  
RAL colors available

#### BALLASTS

Compact fluorescent = HPF Electronic  
HID = HPF Magnetic

#### MAXIMUM LAMP TYPE\*

	SMALL	MEDIUM	LARGE
Incandescent	C/F	C/F	C/F
Compact fluorescent	26 watts	2x32 watts	2x39 watts
High pressure sodium	n/a	70 watts	150 watts
Metal halide	n/a	70 watts	150 watts

\* Consult technical sheets for specific lamp application

#### LISTINGS



Wet location luminaire



Listed to applicable CSA and UL standards

### ADDITIONAL STYLES



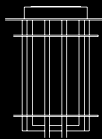
TPBM - Bollard



TPPT - Post Top



TPPM - Pendant

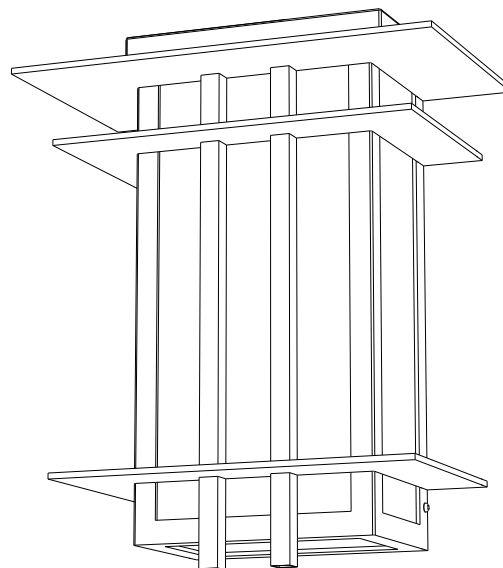


# PAMPAS®

## TPWM - Wall Mount

### STANDARD FEATURES

- Classic architectural design
- Three sizes - 10.5", 14" and 18.5"
- Heavy gauge construction suitable for rigorous outdoor environments
- Extruded and laser cut aluminum housing
- Compact fluorescent and HID sources
- Opal polycarbonate lens standard
- HPF magnetic ballasts for HID and electronic ballasts for compact fluorescent
- Stainless steel hardware



Wet location luminaire



Listed to applicable CSA and UL standards

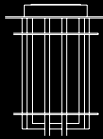
### ORDERING CODE GUIDE

SERIES	MODEL	SIZE	LAMP ③	VOLT ②	COLOR	OPTIONS
TPWM	4200					
		S = small	PLC13 2 x PLC13 PLC26	120 277 347	<u>TEXTURED FINISHES</u> TAL = textured aluminum TBK = textured black TBZ = textured bronze TWH = textured white	WML = white faux alabaster lens BML = brown faux alabaster lens EMB = emergency ballast ①
		M = medium	35HPS PLT32 PLT42 2 x PLC26 2 x PLT32 50HPS 70HPS 50MH 70MH		<u>SMOOTH FINISHES</u> AL = silverdillo BK = black BY = buttercup yellow DBZ = dark bronze DO = deep orange EG = emerald green RB = royal blue RR = rich red WH = white	
		L = large	2 x PLT42 2 x CF39 150HPS 100MH 150MH		RAL colors available	

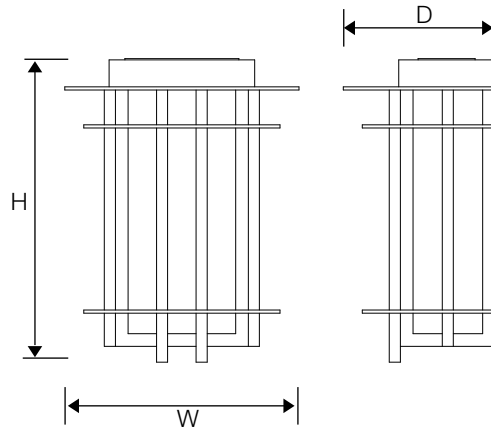
Notes:

- ① Available for large only with PL lamping
- ② Not all voltages available for all lamp types, please confirm with factory
- ③ PLC/PLT/CF lamps are 4 pin,  
HPS/MH lamps are medium base (coated)

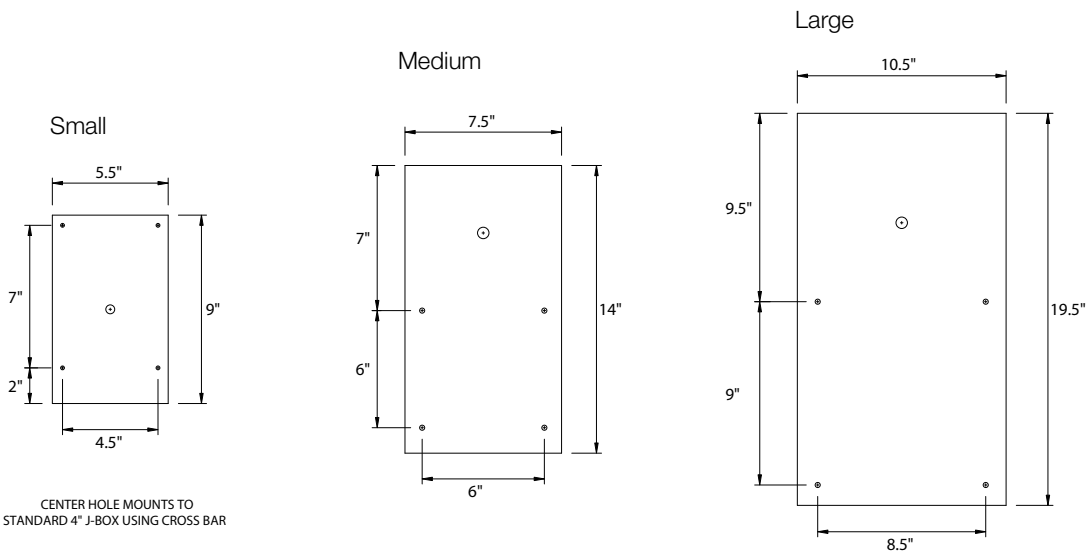




### DIMENSIONS



### Mounting Plate



	W	H	D
Small	10.5"	12.0"	6.0"
Medium	14.0"	17.5"	8.0"
Large	18.5"	24.0"	12.0"