

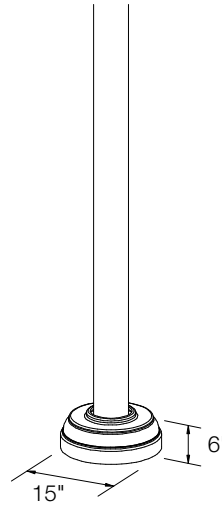
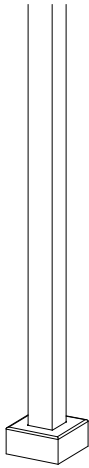
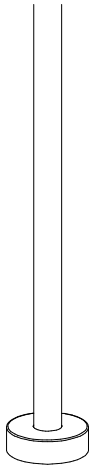
# POLE BASES

## Poles



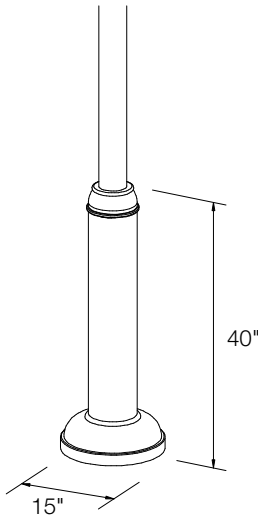
### STANDARD FEATURES

- Die-cast and spun aluminum base covers
- Zinc plated anchor bolts and mounting hardware
- Standard powder coat finishes

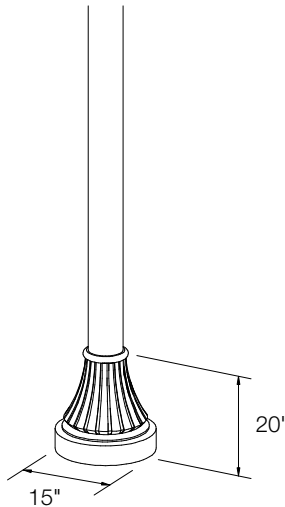


Please see Tech Sheets for pole cover details

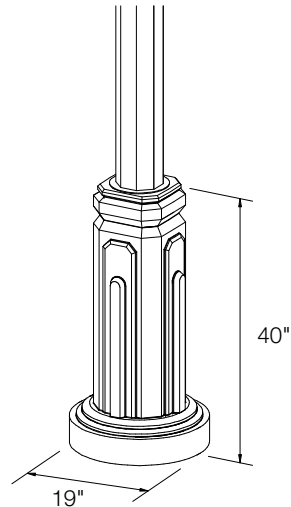
CADB-1 = Cast aluminum decorative base



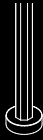
CADB-2 = Cast aluminum decorative base



CADB-3 = Cast aluminum decorative base



CADB-4 = Cast aluminum decorative base

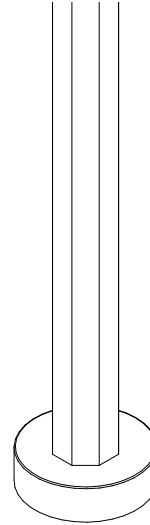


# POLES

## SOSP - Straight Octagonal Steel

### STANDARD FEATURES

- Heavy wall square steel tubing
- 1/2" or 3/4" thick steel base plate
- Continuously welded base plate
- Hand hole and cover
- Zinc plated anchor bolts and mounting hardware
- Pole furnished with ground lug



### ORDERING CODE GUIDE

| SERIES | SIZE   | HEIGHT  | TOP                                | MOUNTING  | COLOR  | OPTIONS   |
|--------|--------|---|------------------------------------|---|--|---|
| SOSP   | 6 1/4" | 8 foot<br>10 foot<br>12 foot<br>15 foot<br>17 foot<br>20 foot | O = open<br>C = cap<br>T = tenon ❶ | PAM = pole arm mount<br>PAM2/180 = 2 arms at 180°<br>PAM2/90 = 2 arms at 90°<br>PAM3C/180 = 2 arms at 180° with center head<br>PAM3/90 = 3 arms at 90°<br>PAM3/120 = 3 arms at 120°<br>PAM4C/90 = 3 arms at 90° with center head<br>PAM4C/120 = 3 arms at 120° with center head<br>PAM4/90 = 4 arms at 90°<br>PAM5C/90 = 4 arms at 90° with center head | <u>TEXTURED FINISHES</u><br>TAL = textured aluminum<br>TBK = textured black<br>TBZ = textured bronze<br>TWH = textured white<br><br><u>SMOOTH FINISHES</u><br>AL = silverdillo<br>BK = black<br>BY = buttercup yellow<br>DBZ = dark bronze<br>DO = deep orange<br>EG = emerald green<br>RB = royal blue<br>RR = rich red<br>WH = white<br><br>RAL colors available | DR = duplex receptacle<br>GFIR = GFI receptacle<br>BA1 = banner arm<br>BA2 = twin banner arm<br>BC = base cover<br>NC = nut cover |

Notes:

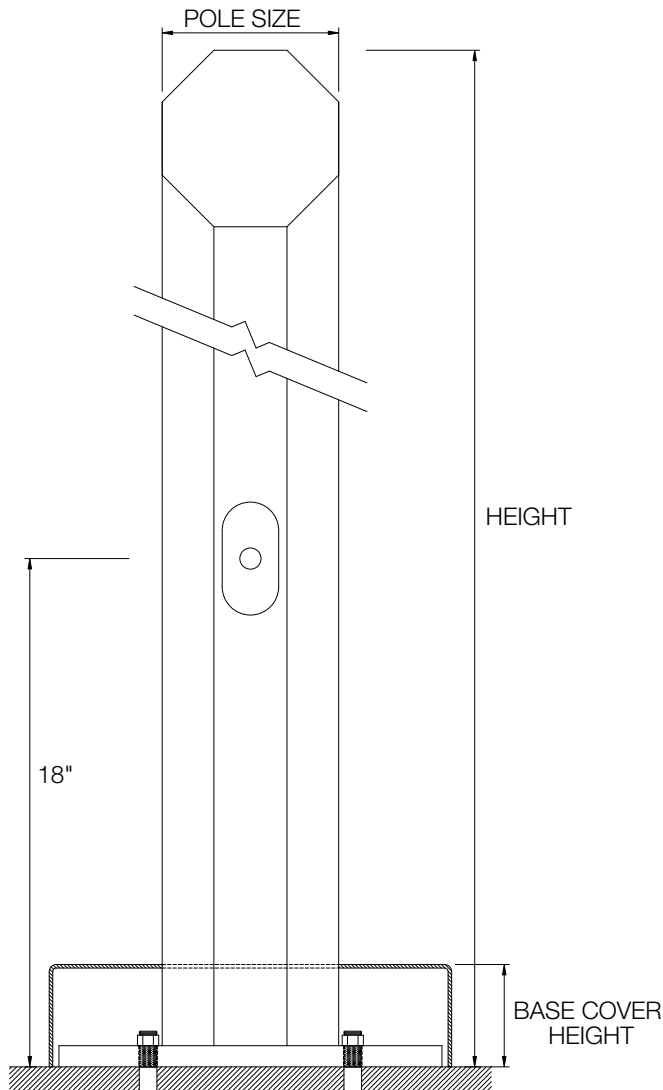
- ❶ Must specify tenon shape, height and diameter

# POLES

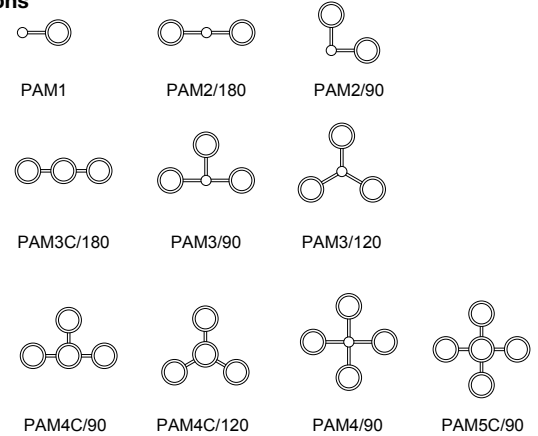
## SOSP - Straight Octagonal Steel

### DIMENSIONS

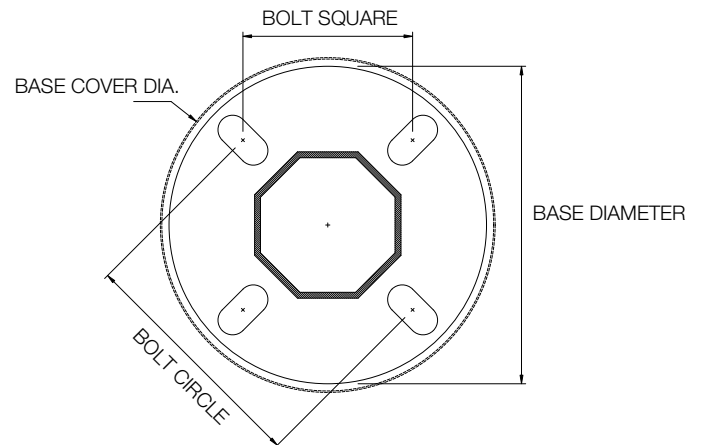
| Pole Size | Height | EPA Ratings @ 80 MPH | Anchor Bolts | Bolt Circle | Bolt Square | Base Diameter | Base Cover DIA | Base Cover Height |
|-----------|--------|----------------------|--------------|-------------|-------------|---------------|----------------|-------------------|
| 6.25"     | 8'     | 30.1                 | 1" x 16"     | 10.25"      | 7.25"       | 13.56"        | 14.0"          | 5"                |
| 6.25"     | 10'    | 25.1                 | 1" x 18"     | 10.25"      | 7.25"       | 13.56"        | 14.0"          | 5"                |
| 6.25"     | 12'    | 20.1                 | 1" x 24"     | 10.25"      | 7.25"       | 13.56"        | 14.0"          | 5"                |
| 6.25"     | 15'    | 18.1                 | 1" x 36"     | 10.25"      | 7.25"       | 13.56"        | 14.0"          | 5"                |
| 6.25"     | 17'    | 17.0                 | 1" x 36"     | 10.25"      | 7.25"       | 13.56"        | 14.0"          | 5"                |
| 6.25"     | 20'    | 15.0                 | 1" x 36"     | 10.25"      | 7.25"       | 13.56"        | 14.0"          | 5"                |



### Mounting Configurations



PLEASE SEE CHART ABOVE FOR DIMENSIONS



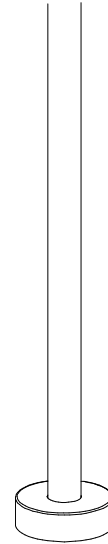
# POLES

## SRAP - Straight Round Aluminum



### STANDARD FEATURES

- Seamless extruded 6063 aluminum alloy tubing
- Heat treated to produce a T6 temper
- Cast aluminum base
- Continuously welded base plate
- Hand hole and cover
- Zinc plated anchor bolts and mounting hardware
- Base cover or nut cover
- Pole furnished with ground lug



### ORDERING CODE GUIDE

| SERIES | SIZE | HEIGHT                       | TOP                                | MOUNTING  | COLOR  | OPTIONS   |
|--------|------|------------------------------|------------------------------------|---|--|---|
| SRAP   |      |                              |                                    |   |  |   |
|        | 4"   | 8 foot<br>10 foot<br>12 foot | O = open<br>C = cap<br>T = tenon ❶ | PAM = pole arm mount<br>PAM2/180 = 2 arms at 180°<br>PAM2/90 = 2 arms at 90°<br>PAM3C/180 = 2 arms at 180°<br>with center head<br>PAM3/90 = 3 arms at 90°<br>PAM3/120 = 3 arms at 120°<br>PAM4C/90 = 3 arms at 90° with<br>center head<br>PAM4C/120 = 3 arms at 120°<br>with center head<br>PAM4/90 = 4 arms at 90°<br>PAM5C/90 = 4 arms at 90°<br>with center head | <u>TEXTURED FINISHES</u><br>TAL = textured aluminum<br>TBK = textured black<br>TBZ = textured bronze<br>TWH = textured white<br><br><u>SMOOTH FINISHES</u><br>AL = silverdillo<br>BK = black<br>BY = buttercup yellow<br>DBZ = dark bronze<br>DO = deep orange<br>EG = emerald green<br>RB = royal blue<br>RR = rich red<br>WH = white<br><br>RAL colors available | DR = duplex receptacle<br>GFIR = GFI receptacle<br>BA1 = banner arm<br>BA2 = twin banner arm<br>BC = base cover<br>NC = nut cover |

Notes:

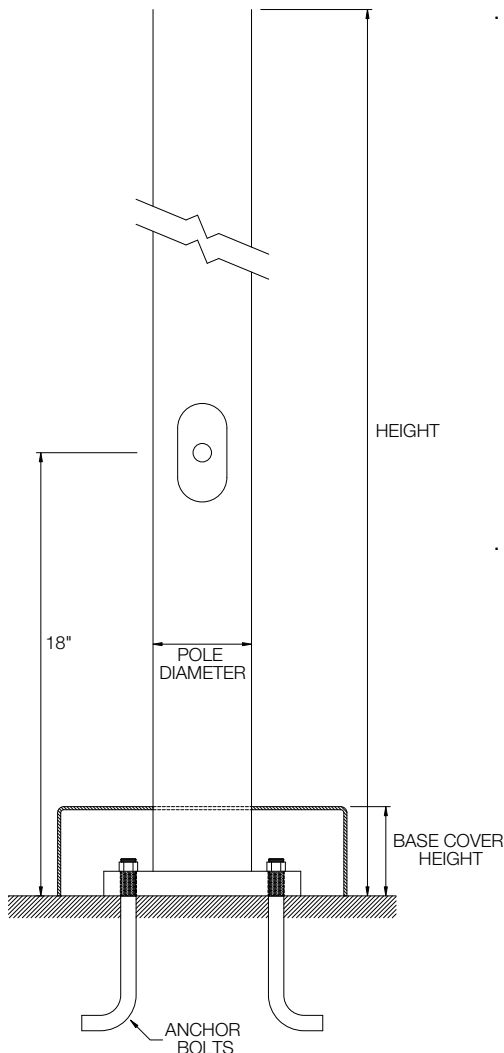
- ❶ Must specify tenon shape, height and diameter

# POLES

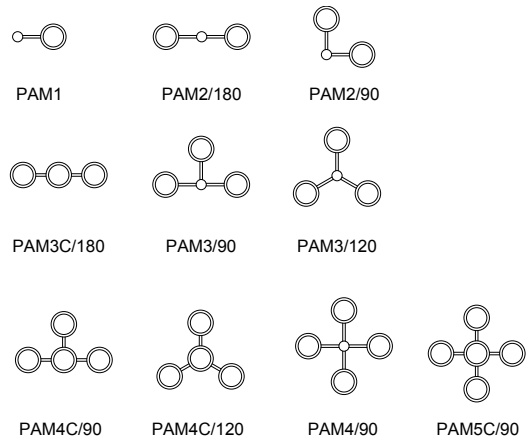
## SRAP - Straight Round Aluminum

### DIMENSIONS

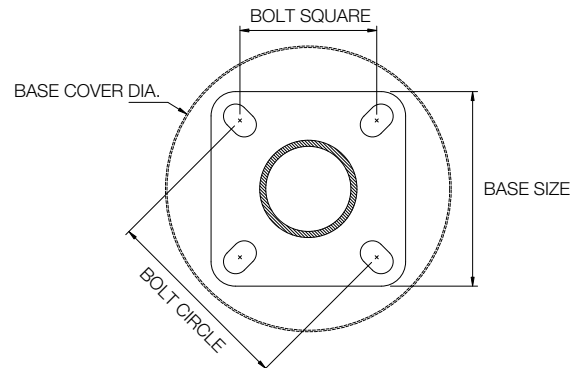
| Pole Diameter | Height | EPA Ratings @ 80 MPH | Anchor Bolts | Bolt Circle | Bolt Square | Base Size   | Base Cover DIA | Base Cover Height |
|---------------|--------|----------------------|--------------|-------------|-------------|-------------|----------------|-------------------|
| 4"            | 8'     | 7.2                  | 3/4" x 14"   | 7.25"       | 5.13"       | 8.5" x 8.5" | 12.5"          | 3.5"              |
| 4"            | 10'    | 5                    | 3/4" x 16"   | 7.25"       | 5.13"       | 8.5" x 8.5" | 12.5"          | 3.5"              |
| 4"            | 12'    | 3.3                  | 3/4" x 18"   | 7.25"       | 5.13"       | 8.5" x 8.5" | 12.5"          | 3.5"              |
| 5"            | 10'    | 9                    | 1" x 16"     | 8.50"       | 6.00"       | 9" x 9"     | 13.5"          | 4.0"              |
| 5"            | 12'    | 6.7                  | 1" x 18"     | 8.50"       | 6.00"       | 9" x 9"     | 13.5"          | 4.0"              |
| 5"            | 14'    | 5                    | 1" x 20"     | 8.50"       | 6.00"       | 9" x 9"     | 13.5"          | 4.0"              |
| 5"            | 16'    | 5.1                  | 1" x 24"     | 8.50"       | 6.00"       | 9" x 9"     | 13.5"          | 4.0"              |
| 5"            | 18'    | 3.8                  | 1" x 36"     | 8.50"       | 6.00"       | 9" x 9"     | 13.5"          | 4.0"              |
| 5"            | 20'    | 2.7                  | 1" x 36"     | 8.50"       | 6.00"       | 9" x 9"     | 13.5"          | 4.0"              |



### Mounting Configurations



PLEASE SEE CHART ABOVE FOR DIMENSIONS



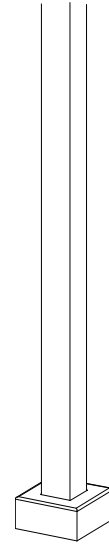
# POLES

## SSAP - Straight Square Aluminum



### STANDARD FEATURES

- Seamless extruded 6063 aluminum alloy tubing
- Cast aluminum base
- Continuously welded base plate
- Hand hole and cover
- Zinc plated anchor bolts and mounting hardware
- Base cover or nut cover
- Pole furnished with ground lug



### ORDERING CODE GUIDE

| SERIES | SIZE | HEIGHT                                  | TOP                                | MOUNTING  | COLOR  | OPTIONS   |
|--------|------|---|------------------------------------|---|--|---|
| SSAP   |      |   |                                    |   |  |   |
|        | 4"   | 8 foot<br>10 foot<br>12 foot<br>15 foot | O = open<br>C = cap<br>T = tenon ❶ | PAM = pole arm mount<br>PAM2/180 = 2 arms at 180°<br>PAM2/90 = 2 arms at 90°<br>PAM3C/180 = 2 arms at 180°<br>with center head<br>PAM3/90 = 3 arms at 90°<br>PAM3/120 = 3 arms at 120°<br>PAM4C/90 = 3 arms at 90° with<br>center head<br>PAM4C/120 = 3 arms at 120°<br>with center head<br>PAM4/90 = 4 arms at 90°<br>PAM5C/90 = 4 arms at 90°<br>with center head | <u>TEXTURED FINISHES</u><br>TAL = textured aluminum<br>TBK = textured black<br>TBZ = textured bronze<br>TWH = textured white<br><br><u>SMOOTH FINISHES</u><br>AL = silverdillo<br>BK = black<br>BY = buttercup yellow<br>DBZ = dark bronze<br>DO = deep orange<br>EG = emerald green<br>RB = royal blue<br>RR = rich red<br>WH = white<br><br>RAL colors available | DR = duplex receptacle<br>GFIR = GFI receptacle<br>BA1 = banner arm<br>BA2 = twin banner arm<br>BC = base cover<br>NC = nut cover |

Notes:

- ❶ Must specify tenon shape, height and diameter

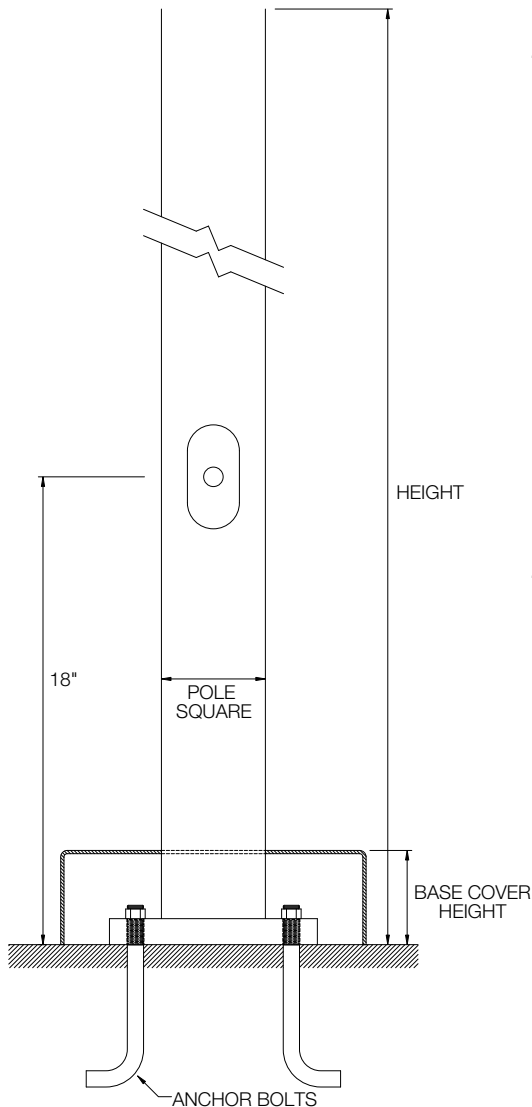
# POLES

## SSAP - Straight Square Aluminum

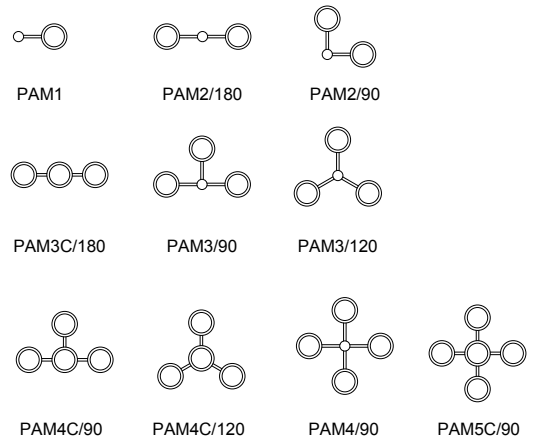


### DIMENSIONS

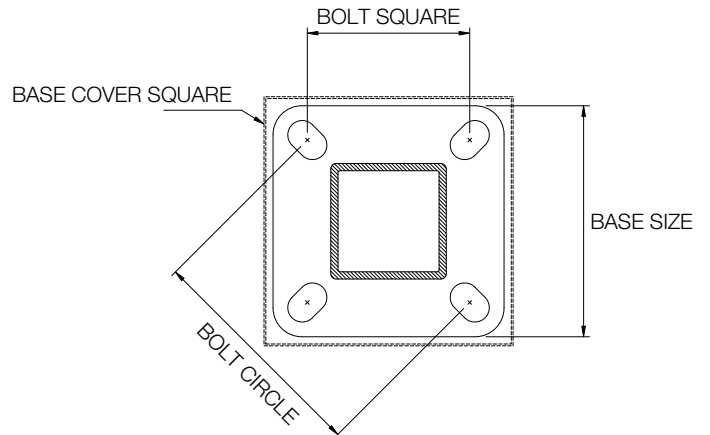
| Pole Square | Height | EPA Ratings @ 80MPH | Anchor Bolts | Bolt Circle | Bolt Square | Base Size     | Base Cover Square | Base Cover Height |
|-------------|--------|---------------------|--------------|-------------|-------------|---------------|-------------------|-------------------|
| 4"          | 8'     | 11.5                | 3/4" x 14"   | 9.0"        | 6.38"       | 10" x 10"     | 10.5" x 10.5"     | 5"                |
| 4"          | 10'    | 7.8                 | 3/4" x 16"   | 9.0"        | 6.38"       | 10" x 10"     | 10.5" x 10.5"     | 5"                |
| 4"          | 12'    | 5.4                 | 3/4" x 18"   | 9.0"        | 6.38"       | 10" x 10"     | 10.5" x 10.5"     | 5"                |
| 4"          | 15'    | 2.6                 | 3/4" x 24"   | 9.0"        | 6.38"       | 10" x 10"     | 10.5" x 10.5"     | 5"                |
| 5"          | 18'    | 6.4                 | 1" x 36"     | 10.5"       | 7.44"       | 10.5" x 10.5" | 11.0" x 11.0"     | 5"                |
| 5"          | 20'    | 4.4                 | 1" x 36"     | 10.5"       | 7.44"       | 10.5" x 10.5" | 11.0" x 11.0"     | 5"                |



### Mounting Configurations



PLEASE SEE CHART ABOVE FOR DIMENSIONS





# POLES

## SRSP - Straight Round Steel

### STANDARD FEATURES

- Heavy wall round steel tubing
- 1/2" or 3/4" thick steel base plate
- Continuously welded base plate
- Hand hole and cover
- Zinc plated anchor bolts and mounting hardware
- Base cover or nut cover
- Pole furnished with ground lug

### ORDERING CODE GUIDE

| SERIES | SIZE | HEIGHT  | TOP                                | MOUNTING ②  | COLOR  | OPTIONS   |
|--------|------|---|------------------------------------|---|--|---|
| SRSP   |      |   |                                    |   |  |   |
|        | 3"   | 8 foot<br>10 foot   | O = open<br>C = cap<br>T = tenon ① | PAM = pole arm mount<br>PAM2/180 = 2 arms at 180°<br>PAM2/90 = 2 arms at 90°<br>PAM3C/180 = 2 arms at 180°<br>with center head<br>PAM3/90 = 3 arms at 90°<br>PAM3/120 = 3 arms at 120°<br>PAM4C/90 = 3 arms at 90° with<br>center head<br>PAM4C/120 = 3 arms at 120°<br>with center head<br>PAM4/90 = 4 arms at 90°<br>PAM5C/90 = 4 arms at 90°<br>with center head | <u>TEXTURED FINISHES</u><br>TAL = textured aluminum<br>TBK = textured black<br>TBZ = textured bronze<br>TWH = textured white   | DR = duplex receptacle<br>GFIR = GFI receptacle<br>BA1 = banner arm<br>BA2 = twin banner arm<br>BC = base cover<br>NC = nut cover |
|        | 4"   | 8 foot<br>10 foot<br>12 foot                                  |                                    |   |  |   |
|        | 5"   | 8 foot<br>10 foot<br>12 foot<br>15 foot<br>17 foot<br>20 foot |                                    |   | <u>SMOOTH FINISHES</u><br>AL = silverdillo<br>BK = black<br>BY = buttercup yellow<br>DBZ = dark bronze<br>DO = deep orange<br>EG = emerald green<br>RB = royal blue<br>RR = rich red<br>WH = white |   |
|        |      |   |                                    |   | RAL colors available   |   |

Notes:

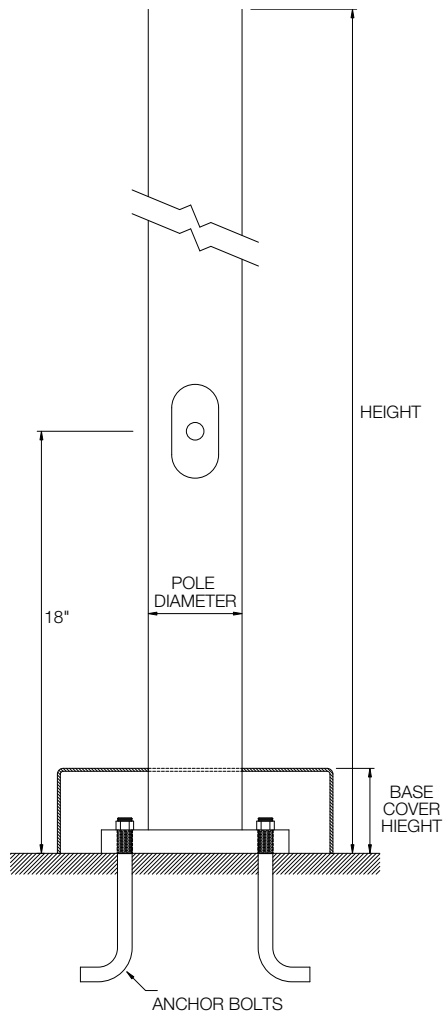
- ① Must specify tenon shape, height and diameter
- ② Check your fixture for appropriate application

# POLES

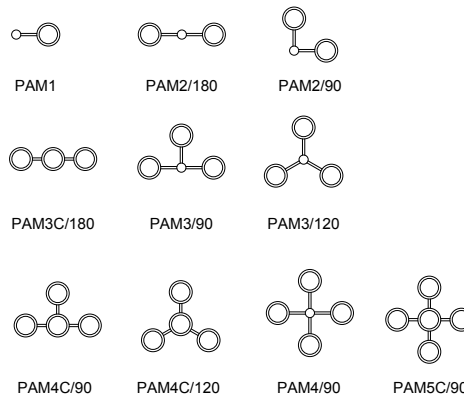
## SRSP - Straight Round Steel

### DIMENSIONS

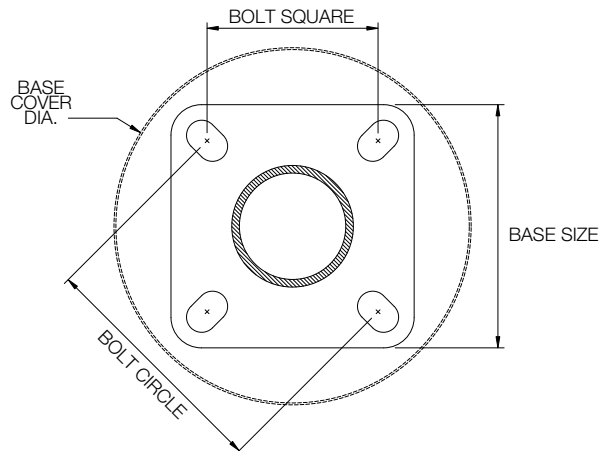
| Pole Diameter | Height | EPA Ratings @ 80 MPH | Anchor Bolts | Bolt Circle | Bolt Square | Base Size | Base Cover DIA | Base Cover Height |
|---------------|--------|----------------------|--------------|-------------|-------------|-----------|----------------|-------------------|
| 3"            | 8'     | 12.0                 | 3/4" x 14"   | 8"          | 5.62"       | 8" x 8"   | 8.5"           | 3"                |
| 3"            | 10'    | 10.0                 | 3/4" x 16"   | 8"          | 5.62"       | 8" x 8"   | 8.5"           | 3"                |
| 4"            | 8'     | 21.0                 | 3/4" x 14"   | 8"          | 5.62"       | 8" x 8"   | 8.5"           | 4"                |
| 4"            | 10'    | 17.5                 | 3/4" x 16"   | 8"          | 5.62"       | 8" x 8"   | 8.5"           | 4"                |
| 4"            | 12'    | 14.5                 | 3/4" X 18"   | 8"          | 5.62"       | 8" x 8"   | 10.5"          | 4"                |
| 5"            | 8'     | 22.7                 | 1" x 12"     | 10"         | 7.06"       | 10" x 10" | 10.5"          | 5"                |
| 5"            | 10'    | 18.9                 | 1" x 16"     | 10"         | 7.06"       | 10" x 10" | 10.5"          | 5"                |
| 5"            | 12'    | 15.4                 | 1" x 18"     | 10"         | 7.06"       | 10" x 10" | 10.5"          | 5"                |
| 5"            | 15'    | 8.4                  | 1" x 24"     | 10"         | 7.06"       | 10" x 10" | 10.5"          | 5"                |
| 5"            | 17'    | 4.9                  | 1" x 36"     | 10"         | 7.06"       | 10" x 10" | 10.5"          | 5"                |
| 5"            | 20'    | 4.5                  | 1" x 36"     | 10"         | 7.06"       | 10" x 10" | 10.5"          | 5"                |



### Mounting Configurations



PLEASE SEE CHART ABOVE FOR DIMENSIONS



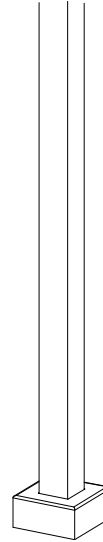
# POLES

## SSSP - Straight Square Steel



### STANDARD FEATURES

- Heavy wall square steel tubing
- 1/2" or 3/4" thick steel base plate
- Continuously welded base plate
- Hand hole and cover
- Zinc plated anchor bolts and mounting hardware
- Base cover or nut cover
- Pole furnished with ground lug



### ORDERING CODE GUIDE

| SERIES | SIZE | HEIGHT                                  | TOP                                | MOUNTING   | COLOR  | OPTIONS   |
|--------|------|---|------------------------------------|--|--|---|
| SSSP   |      |   |                                    |  |  |   |
|        | 4"   | 8 foot<br>10 foot<br>12 foot<br>15 foot | O = open<br>C = cap<br>T = tenon ❶ | PAM1 = pole arm mount<br>PAM2/180 = 2 arms at 180°<br>PAM2/90 = 2 arms at 90°<br>PAM3C/180 = 2 arms at 180°<br>with center head<br>PAM3/90 = 3 arms at 90°<br>PAM3/120 = 3 arms at 120°<br>PAM4C/90 = 3 arms at 90° with<br>center head<br>PAM4C/120 = 3 arms at 120°<br>with center head<br>PAM4/90 = 4 arms at 90°<br>PAM5C/90 = 4 arms at 90°<br>with center head | <u>TEXTURED FINISHES</u><br>TAL = textured aluminum<br>TBK = textured black<br>TBZ = textured bronze<br>TWH = textured white<br><br><u>SMOOTH FINISHES</u><br>AL = silverdillo<br>BK = black<br>BY = buttercup yellow<br>DBZ = dark bronze<br>DO = deep orange<br>EG = emerald green<br>RB = royal blue<br>RR = rich red<br>WH = white<br><br>RAL colors available | DR = duplex receptacle<br>GFIR = GFI receptacle<br>BA1 = banner arm<br>BA2 = twin banner arm<br>BC = base cover<br>NC = nut cover |

Notes:

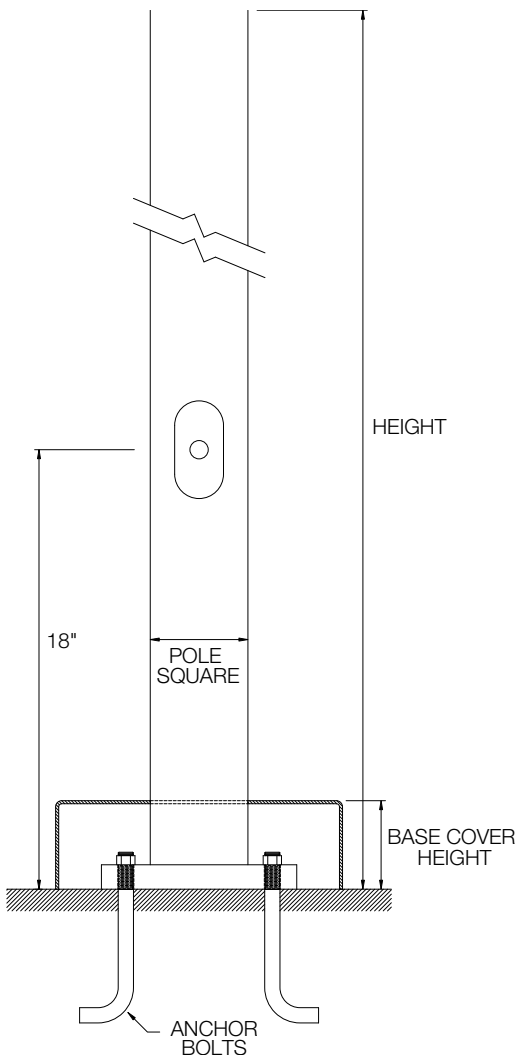
- ❶ Must specify tenon shape, height and diameter

# POLES

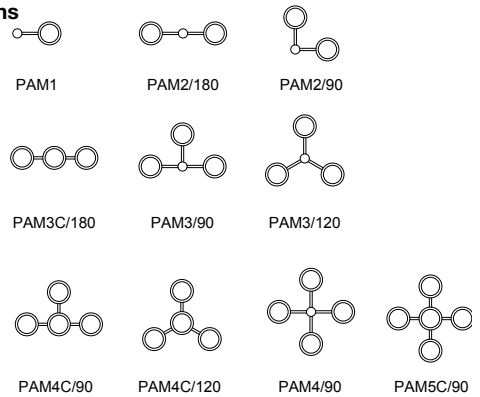
## SSSP - Straight Square Steel

### DIMENSIONS

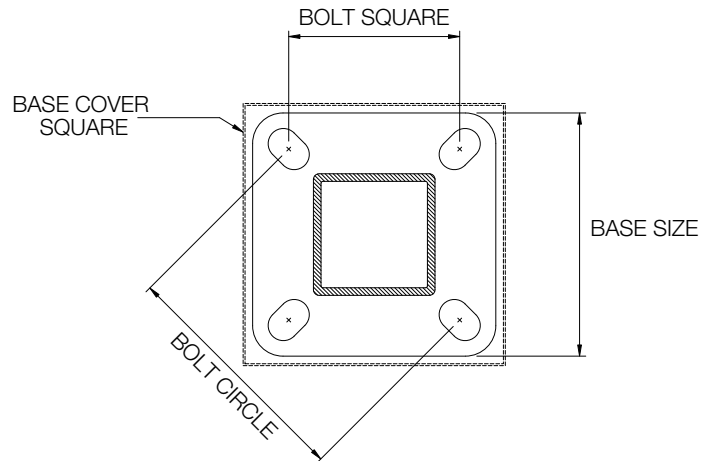
| Pole Square | Height | EPA Ratings @ 80 MPH | Anchor Bolts | Bolt Circle | Bolt Square | Base Size | Base Cover Square | Base Cover Height |
|-------------|--------|----------------------|--------------|-------------|-------------|-----------|-------------------|-------------------|
| 4"          | 8'     | 30                   | 3/4" x 14"   | 8"          | 5.62"       | 8" x 8"   | 8.5" x 8.5"       | 4"                |
| 4"          | 10'    | 25                   | 3/4" x 16"   | 8"          | 5.62"       | 8" x 8"   | 8.5" x 8.5"       | 4"                |
| 4"          | 12'    | 20.8                 | 3/4" x 18"   | 8"          | 5.62"       | 8" x 8"   | 8.5" x 8.5"       | 4"                |
| 4"          | 15'    | 12.8                 | 3/4" x 24"   | 8"          | 5.62"       | 8" x 8"   | 8.5" x 8.5"       | 4"                |
| 5"          | 10'    | 27                   | 1" x 16"     | 10"         | 7.06"       | 10" x 10" | 10.5" x 10.5"     | 5"                |
| 5"          | 12'    | 22                   | 1" x 18"     | 10"         | 7.06"       | 10" x 10" | 10.5" x 10.5"     | 5"                |
| 5"          | 15'    | 12                   | 1" x 24"     | 10"         | 7.06"       | 10" x 10" | 10.5" x 10.5"     | 5"                |
| 5"          | 17'    | 7.1                  | 1" x 36"     | 10"         | 7.06"       | 10" x 10" | 10.5" x 10.5"     | 5"                |
| 5"          | 20'    | 6.5                  | 1" x 36"     | 10"         | 7.06"       | 10" x 10" | 10.5" x 10.5"     | 5"                |



### Mounting Configurations



PLEASE SEE CHART ABOVE FOR DIMENSIONS



# POLES

## TRAP - Tapered Round Aluminum



### STANDARD FEATURES

- Seamless extruded 6063 aluminum alloy tubing
- Heat treated to produce a T6 temper
- Cast aluminum base
- Continuously welded base plate
- Hand hole and cover
- Zinc plated anchor bolts and mounting hardware
- Base cover or nut cover
- Pole furnished with ground lug

### ORDERING CODE GUIDE

| SERIES | BUTT SIZE | HEIGHT  | TOP                                | MOUNTING  | COLOR  | OPTIONS   |
|--------|-----------|---|------------------------------------|---|--|---|
| TRAP   | 4"<br>5"  | 8 foot<br>10 foot<br>12 foot<br>14 foot<br>16 foot<br>18 foot | O = open<br>C = cap<br>T = tenon ❶ | PAM = pole arm mount<br>PAM2/180 = 2 arms at 180°<br>PAM2/90 = 2 arms at 90°<br>PAM3C/180 = 2 arms at 180° with center head<br>PAM3/90 = 3 arms at 90°<br>PAM3/120 = 3 arms at 120°<br>PAM4C/90 = 3 arms at 90° with center head<br>PAM4C/120 = 3 arms at 120° with center head<br>PAM4/90 = 4 arms at 90°<br>PAM5C/90 = 4 arms at 90° with center head | <u>TEXTURED FINISHES</u><br>TAL = textured aluminum<br>TBK = textured black<br>TBZ = textured bronze<br>TWH = textured white<br><br><u>SMOOTH FINISHES</u><br>AL = silverdillo<br>BK = black<br>BY = buttercup yellow<br>DBZ = dark bronze<br>DO = deep orange<br>EG = emerald green<br>RB = royal blue<br>RR = rich red<br>WH = white<br><br>RAL colors available | DR = duplex receptacle<br>GFIR = GFI receptacle<br>BA1 = banner arm<br>BA2 = twin banner arm<br>BC = base cover<br>NC = nut cover |

Notes:

- ❶ Must specify tenon shape, height and diameter

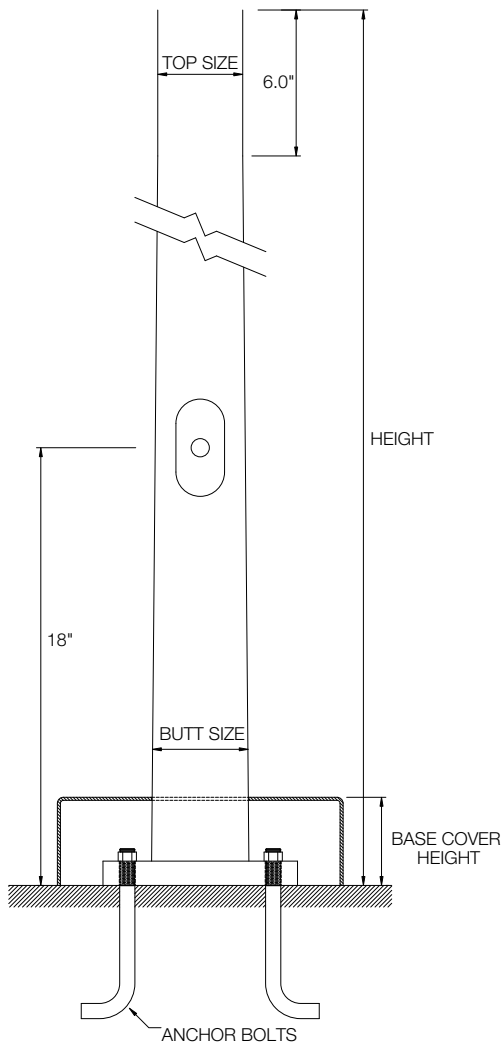


# POLES

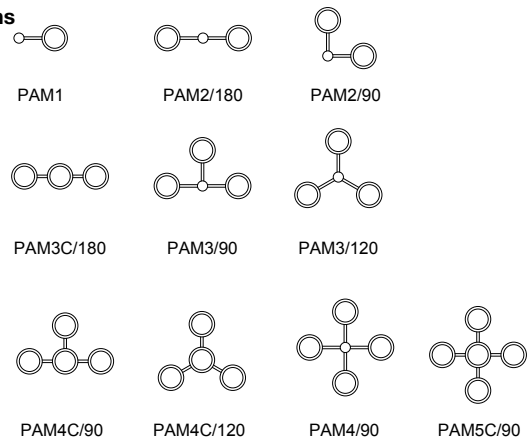
## TRAP - Tapered Round Aluminum

### DIMENSIONS

| Butt size | Top Size | Height | EPA Ratings @ 80 MPH | Anchor Bolts | Bolt Circle | Bolt Square | Base Size   | Base Cover DIA | Base Cover Height |
|-----------|----------|--------|----------------------|--------------|-------------|-------------|-------------|----------------|-------------------|
| 4"        | 3"       | 8'     | 7.8                  | 3/4" x 15"   | 7.25"       | 5.13"       | 8.5" x 8.5" | 12.5"          | 3.5"              |
| 5"        | 3"       | 10'    | 9.5                  | 1" x 15"     | 8.50"       | 6.00"       | 9" x 9"     | 13.5"          | 4.0"              |
| 5"        | 3"       | 12'    | 7.1                  | 1" x 24"     | 8.50"       | 6.00"       | 9" x 9"     | 13.5"          | 4.0"              |
| 5"        | 3"       | 14'    | 7.1                  | 1" x 24"     | 8.50"       | 6.00"       | 9" x 9"     | 13.5"          | 4.0"              |
| 5"        | 3"       | 16'    | 5.4                  | 1" x 36"     | 8.50"       | 6.00"       | 9" x 9"     | 13.5"          | 4.0"              |
| 5"        | 3"       | 18'    | 7.3                  | 1" x 36"     | 8.50"       | 6.00"       | 9" x 9"     | 13.5"          | 4.0"              |



### Mounting Configurations



PLEASE SEE CHART ABOVE FOR DIMENSIONS

