

RONDELLA

ROND 1 - Flat Top

Three sizes - 17", 22" and 26" diameter

Heavy gauge aluminum construction

Die-cast aluminum hinged lens frame

Tempered clear flat glass lens

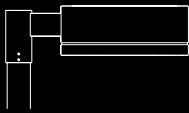
High performance reflector systems

Horizontal or vertical lamp positions

Field rotatable optics

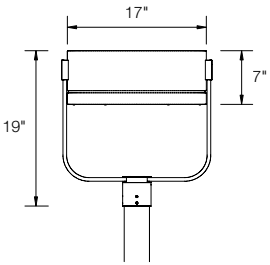
RONDELLA

ROND 1 - Flat Top

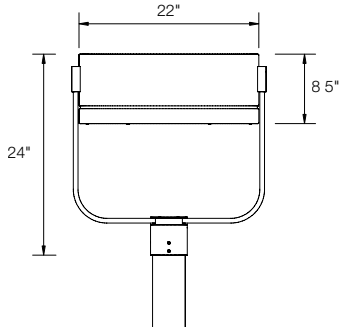


DIMENSIONS

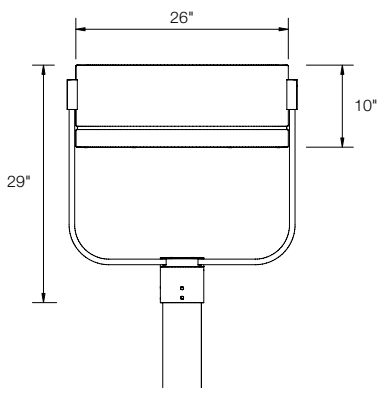
SMALL



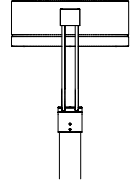
MEDIUM



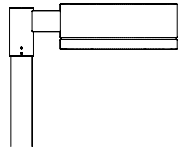
LARGE



YOKE MOUNT SIDE VIEW



POLE ARM MOUNT



SPECIFICATIONS

SIZES

Small = 17" diameter
 Medium = 22" diameter
 Large = 26" diameter

MOUNTING

Yoke mount
 Wall mount
 Pole arm mount
 See technical data sheets for details

COLOR

Textured or smooth polyester powder coat finishes
 RAL colors available

BALLASTS

HID = HPF CWA Magnetic

OPTICS

Horizontal lamp = Type II, III, IV, V
 Vertical lamp = Type V
 See technical data sheets for details

OPTIONS

Convex lens available

MAXIMUM LAMP TYPE*

Compact fluorescent
 High pressure sodium
 Metal halide

	SMALL	MEDIUM	LARGE
C/F	C/F	C/F	C/F
	150 watts	400 watts	750 watts
	175 watts	400 watts	1000 watts

* Consult technical sheets for specific lamp application

LISTINGS



Wet location luminaire



Listed to applicable CSA and UL standards

ADDITIONAL STYLES



ROND 2 - Pole Arm Mount
 Opaque Dome Top



ROND 3 - Pole Arm Mount
 Luminous Dome Top

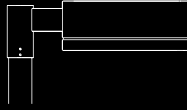


ROND 4 - Yoke Mount
 Opaque Crown Top



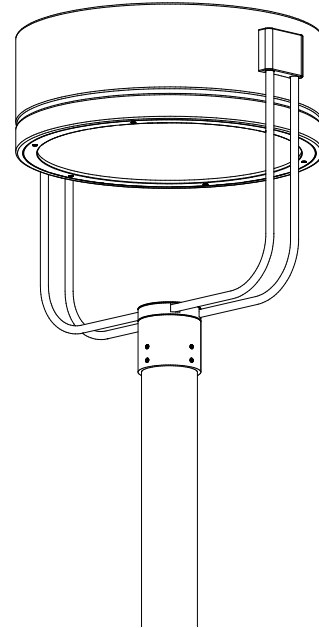
RONDELLA

ROND 1 - Flat Top



STANDARD FEATURES

- Three sizes - 17", 22" and 26" diameter
- Heavy gauge spun aluminum flat top housing
- Hinged die-cast lens frame secured by 1/4 turn captive fasteners
- Tempered clear glass flat lens
- Segmented high performance reflector systems
- Lamps can be mounted either horizontally or vertically
- Field rotatable optics



Wet location luminaire



Listed to applicable CSA and UL standards

ORDERING CODE GUIDE

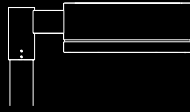
SERIES	MODEL	SIZE	LAMP	VOLT	OPTICS	COLOR	MOUNTING	OPTIONS
ROND1	1690							
		Small = 17"	70HPS 100HPS 150HPS 70MH 100MH 150MH 175MH	120 277 347	2 = Type II 3 = Type III 4 = Type IV 5H = Type V Horizontal 5V = Type V Vertical	<u>TEXTURED FINISHES</u> TAL = textured aluminum TBK = textured black TBZ = textured bronze TWH = textured white <u>SMOOTH FINISHES</u> AL = silverdillo BK = black BY = buttercup yellow DBZ = dark bronze DO = deep orange EG = emerald green RB = royal blue RR = rich red WH = white RAL colors available	WMB1 = wall mount bracket WMB2 = wall mount bracket <u>POLE ARM MOUNTS</u> ① (see reverse for detail) PAM = pole arm mount PAM2/180 = 2 arms at 180° PAM2/90 = 2 arms at 90° PAM3/120 = 3 arms at 120° PAM4/90 = 4 arms at 90°	Photocell factory installed PE1 = 120 volt PE2 = 277 volt CL = convex lens HSS = house side shield (N/A with optics 5V)
		Medium = 22"	250HPS 400HPS 250MH 400MH					
		Large = 26"	400HPS 750HPS 400MH 1000MH					

Notes:

- ① Please indicate size of pole when ordering

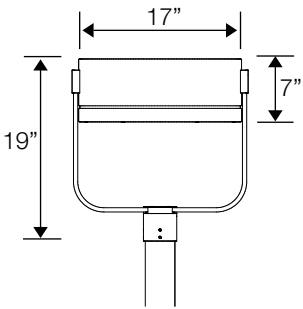
RONDELLA

ROND 1 - Flat Top

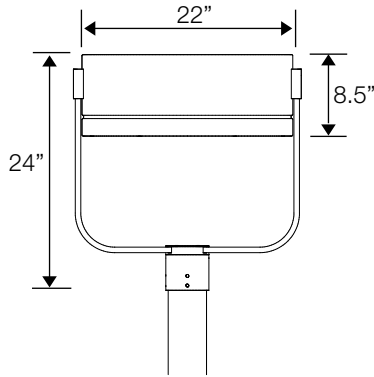


DIMENSIONS

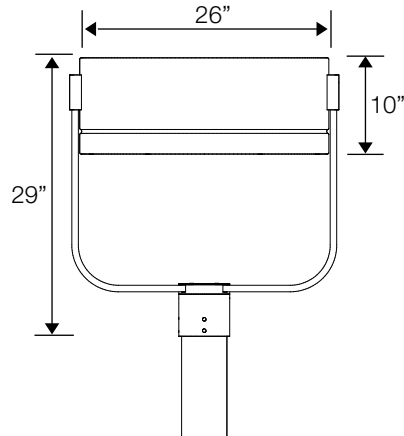
Small / EPA = 0.8



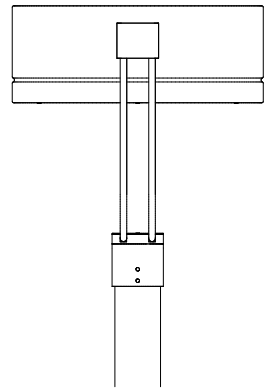
Medium / EPA = 1.1



Large / EPA = 1.3

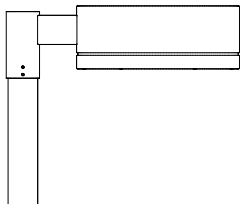


Yoke Mount Side view
(Standard)



Mounting Configurations

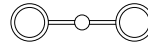
Side View PAM



Standard
Yoke Mount



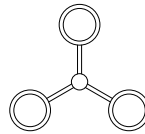
PAM



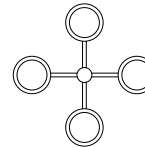
PAM2/180



PAM2/90



PAM3/120



PAM4/90