

SLOOP

ASFL-Pole Mount

Die-cast aluminum housing in two sizes

Die-cast hinged and gasketed lens frame

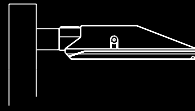
Specular aluminum forward throw reflector

Optional optics available

Clear tempered glass lens

Pole or wall mounting options



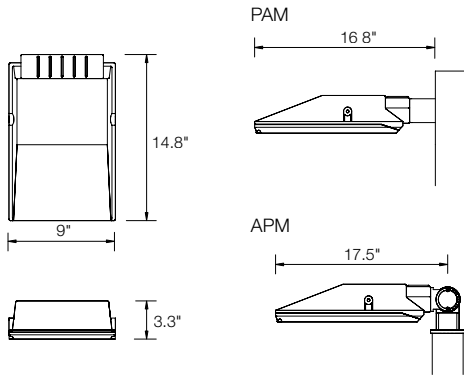


SLOOP

ASFL-Pole Mount

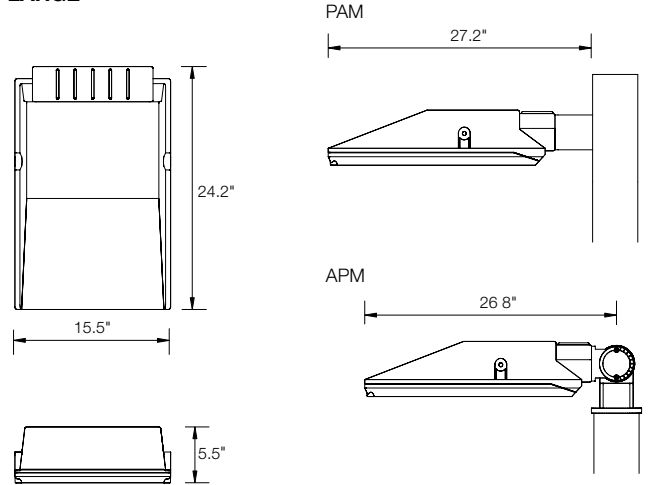
DIMENSIONS

SMALL



IP65 Rated

LARGE



* 2 3/8" O.D. x 3.0"H Tenon Required

SPECIFICATIONS

SIZES

Small = 9" x 14.8"
Large = 15.5" x 24.2"

MOUNTING

Available in pole and adjustable mount

COLOR

Textured or smooth polyester powder coat finishes
RAL colors available

BALLASTS

HID = HPF magnetic

OPTIONS

Photocell

OPTICS

Forward throw standard
Consult technical data sheets for other optical options

MAXIMUM LAMP TYPE*

	SMALL	LARGE
Incandescent	C/F	C/F
Compact fluorescent	C/F	C/F
High pressure sodium	100 watts	400 watts
Metal halide	100 watts	400 watts

* Consult technical sheets for specific lamp applications

LISTINGS



Wet location luminaire



Listed to applicable CSA and UL standards

ADDITIONAL STYLES



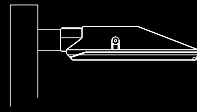
Wall Mount



Yoke Mount



Flush Mount



SLOOP

ASFL - Pole Mount

STANDARD FEATURES

- Die-cast aluminum housing in two sizes
- Die-cast hinged and gasketed lens frame
- Specular aluminum forward throw reflector
- Optional optics available
- Clear tempered glass lens

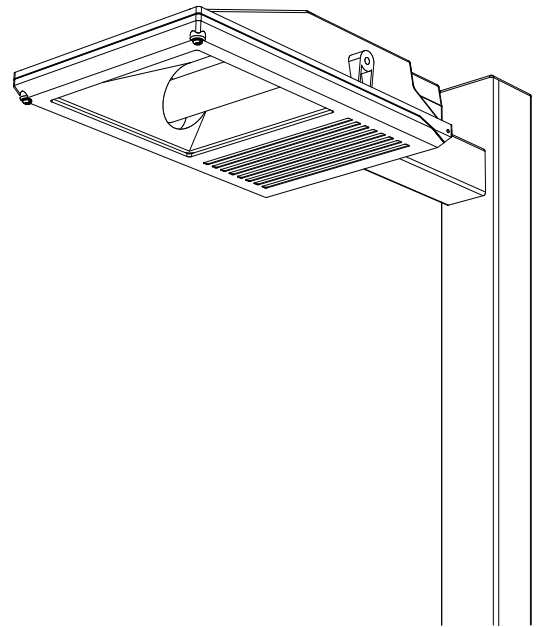
IP65 Rated



Wet location luminaire



Listed to applicable CSA and UL standards



ORDERING CODE GUIDE

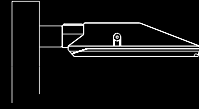
SERIES	MODEL	SIZE	LAMP	VOLT	OPTICS	COLOR	MOUNTING	OPTIONS
ASFL	1650							
		S = small	35HPS 50HPS 70HPS 100HPS 50MH 70MH 100MH	120 277 347	FF = forward flood WW = wall wash	<u>TEXTURED FINISHES</u> TAL = textured aluminum TBK = textured black TBZ = textured bronze TWH = textured white	PAM = pole arm mount ❶ APM = adjustable pole mount ❷	Photo cell factory installed PE1 = 120V PE2 = 277V
		L = large	150HPS 200HPS 250HPS 400HPS 175MH 250MH 400MH		2 = Type II 3 = Type III FF = forward flood WW = wall wash	<u>SMOOTH FINISHES</u> AL = silverdillo BK = black BY = buttercup yellow DBZ = dark bronze DO = deep orange EG = emerald green RB = royal blue RR = rich red WH = white		
						RAL colors available		

Notes:

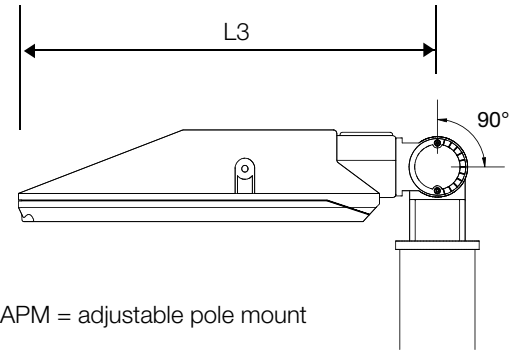
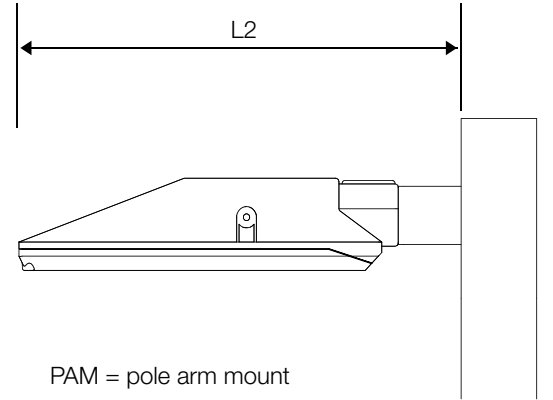
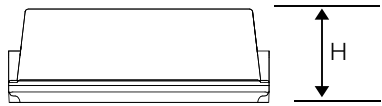
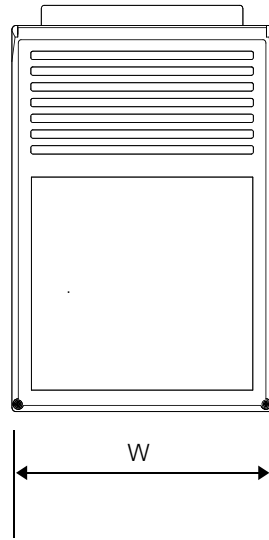
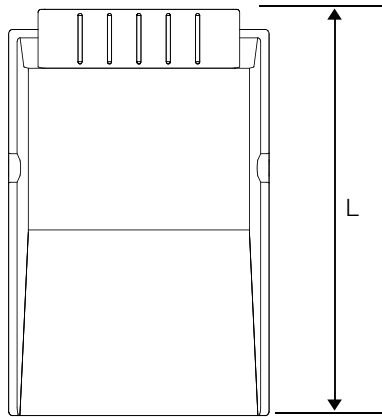
- ❶ Please indicate pole dimensions when ordering
- ❷ APM mounts over 2 3/8" O.D. x 3" H tenon

SLOOP

ASFL - Pole Mount



DIMENSIONS



2 3/8" O.D. x 3.0" H tenon required

	W	H	L	L2	L3	EPA
Small	9.0"	3.3"	14.8"	16.8"	16.1"	0.7
Large	15.5"	5.5"	24.2"	27.2"	25.5"	1.6