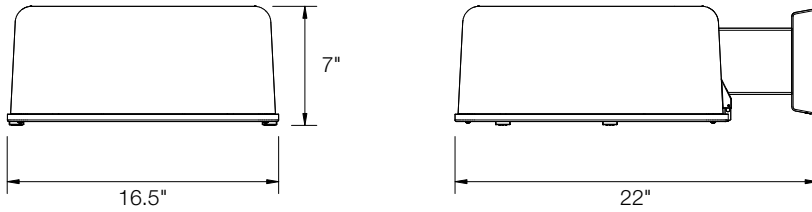


TAMBIEN

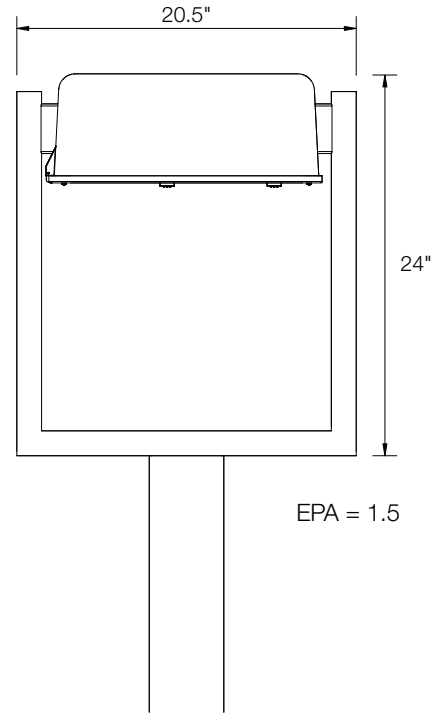
ASCS - Square

DIMENSIONS

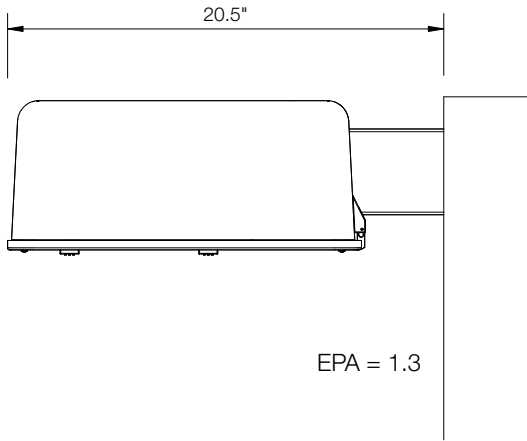
WAM = wall arm mount



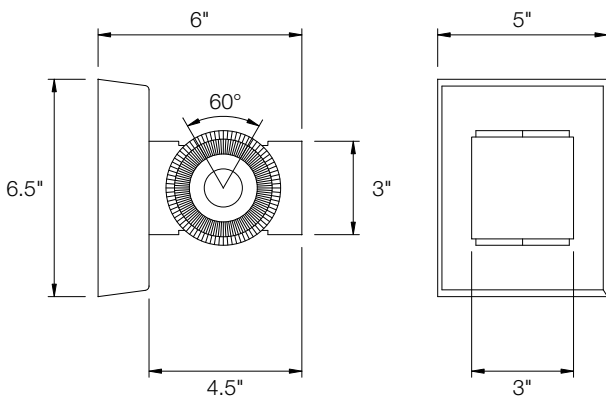
YM = yoke mount



PAM = pole arm mount



ADJ = Adjustable wall mount detail



WAM = Wall arm mount detail

