



TAMBIEN

GPFL - Flood

STANDARD FEATURES

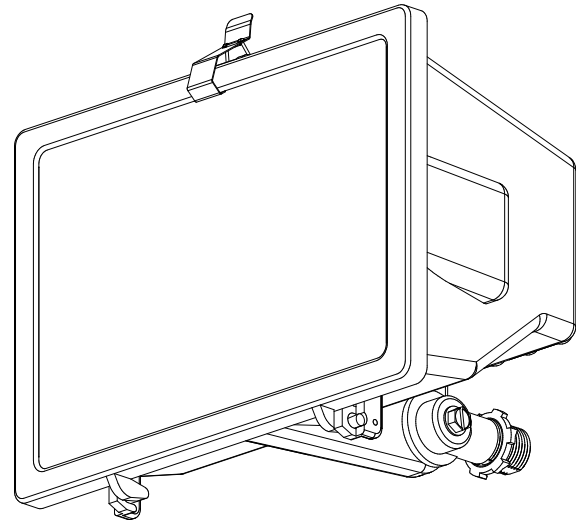
- Die cast aluminum housing
- Die cast aluminum hinged lens frame
- Stainless steel lens frame latch
- High impact tempered glass lens
- Adjustable die cast 1/2" IPS knuckle for aiming
- Anodized aluminum reflector
- Standard finish textured black powder coat
- Ballasts: HPF for all fluorescent
NPF for HPS 120 volt
HPF for MH



Wet location luminaire



Listed to applicable CSA and UL standards



ORDERING CODE GUIDE

SERIES	MODEL	LAMP	VOLT	COLOR	OPTIONS
GPFL	1610				

- PLC28 ① ③
 PLT32
 PLT42 ①
 35HPS ①
 50HPS ①
 70HPS ①
 100HPS ①
 50MH ②
 70MH ②
 100MH ②
 100T10HAL ①

- 120
 277
 347

- TEXTURED FINISHES
 TAL = textured aluminum
 TBK = textured black
 TBZ = textured bronze
 TWH = textured white

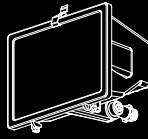
- SMOOTH FINISHES
 AL = silverdillo
 BK = black
 BY = buttercup yellow
 DBZ = dark bronze
 DO = deep orange
 EG = emerald green
 RB = royal blue
 RR = rich red
 WH = white

- US = upper shield
 LS = lower shield
 FS = full shield
 WG = wire guard
 CPS = clear polycarbonate shield
 PTF = post top fitter
 WMP = wall mounting plate for standard outlet box
 BDU = barn door up
 BDD = barn door down
 BD2 = barn door sides
 BD4 = barn door all sides
 EBL = external blade louver
 PE = photocell 120V only (factory installed)

RAL colors available

Notes:

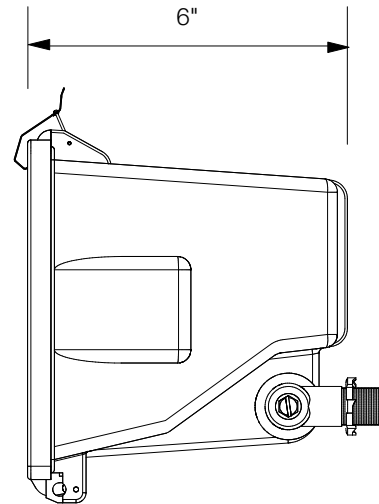
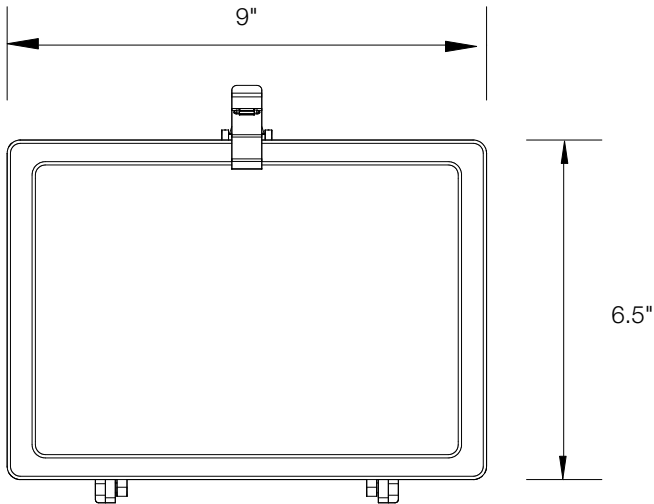
- ① 120V only
- ② Remote ballast
- ③ Low temperature start: -20F/30C



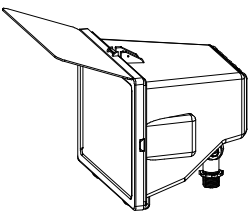
TAMBIEN

GPFL - Flood

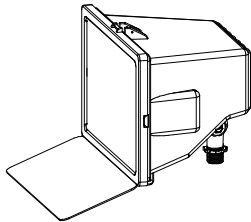
DIMENSIONS



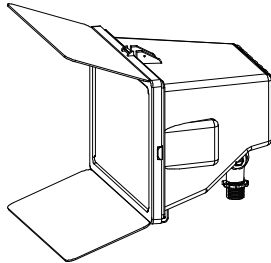
BARN DOOR OPTIONS



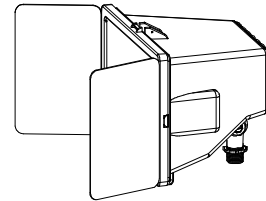
BDU = barn door up



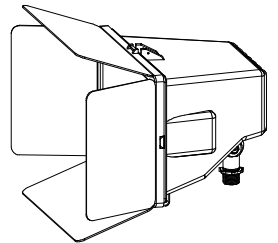
BDD = barn door down



BD3 = barn door up/down



BD2 = barn door sides



BD4 = barn door all sides