



STANDARD FEATURES

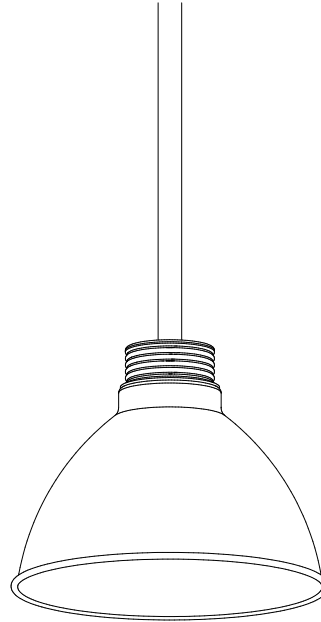
- Heavy gauge spun shade, powder coated white inside
- 3 sizes available
- 3/4" diameter stems with heavy gauge canopy for sloped ceiling
- PL & HID units have ceiling canopy ballast box
- MH units have indoor remote F-CAN style ballast
- 10ft max for 50W, 20ft max for 70 & 100W no limitation for 175, 250 & 400W
- HPS units have ceiling HID canopy ballast box
- HPF ballast standard



Damp location luminaire



Listed to applicable CSA and UL standards



ORDERING CODE GUIDE

SERIES	MODEL	SIZE	LAMP	STEM	VOLT	COLOR
IOIP	500					
		S	INC75 MR75 ❶ PLC13 PLT26	SM6 = 6" stem SM12 = 12" stem SM18 = 18" stem SM24 = 24" stem SMXX = custom length stem	120 277 347 ❷	<u>TEXTURED FINISHES</u> TAL = textured aluminum TBK = textured black TBZ = textured bronze TWH = textured white
		M ❷	INC150 PLT32 PLT42 50MH ❸ 70MH ❸ 100MH ❸ 175MH ❸ 35HPS ❸ 50HPS ❸ 70HPS ❸ 100HPS ❸			<u>SMOOTH FINISHES</u> AL = silverdillo BK = black BY = buttercup yellow DBZ = dark bronze DO = deep orange EG = emerald green RB = royal blue RR = rich red WH = white
		L ❸	150HPS INC300 250MH ❸ 400MH ❸ 250HPS ❸ 400HPS ❸			RAL colors available

Notes:

- ❶ Use lensed MR16 lamps
- ❷ Lamp types and wattages in size S also available
- ❸ Lamp types and wattages in size S & M also available
- ❹ Consult factory
- ❺ Open luminaire, use medium base protected lamp

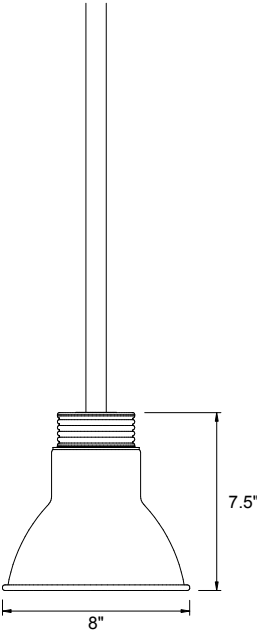
TAMBIEN

IOIP - Pendant

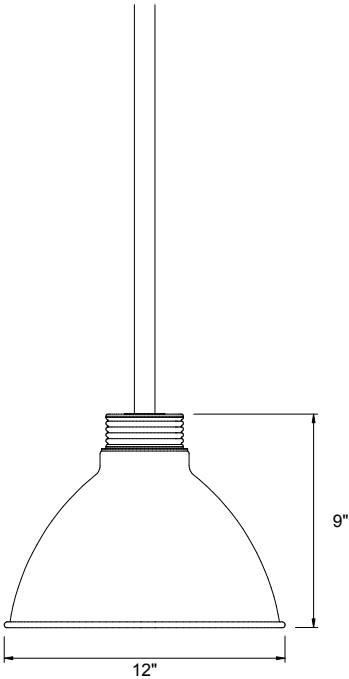


DIMENSIONS

SMALL



MEDIUM



LARGE

