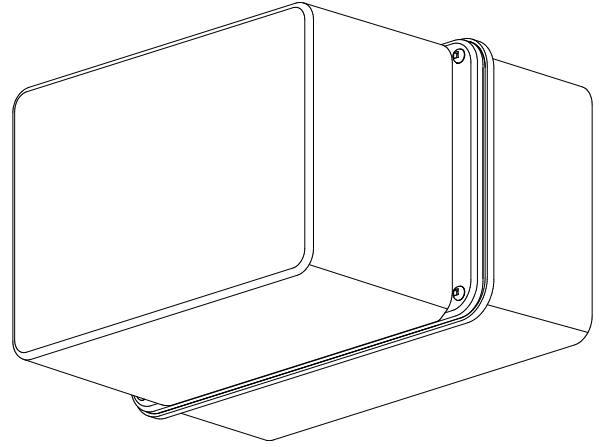


TAMBIEN

TBWP - Wall Mount

STANDARD FEATURES

- Die-cast aluminum housing
- Die-cast aluminum ballast cover
- 92% reflective polished aluminum reflector with cut off optics
- Clear polycarbonate injection moulded front lens
- Direct mount over flush wall box without getting into ballast compartment
- Powder coat dark bronze finish



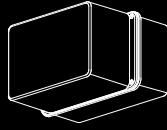
Wet location luminaire



US Listed to applicable CSA and UL standards

ORDERING CODE GUIDE

SERIES	MODEL	LAMP	VOLT	COLOR
TBWP	2000		120	DBZ = dark bronze
		35HPS		
		50HPS		
		70HPS		
		100HPS		
		150HPS		
		50MH		
		70MH		



TAMBIEN

TBWP - Wall Mount

DIMENSIONS

