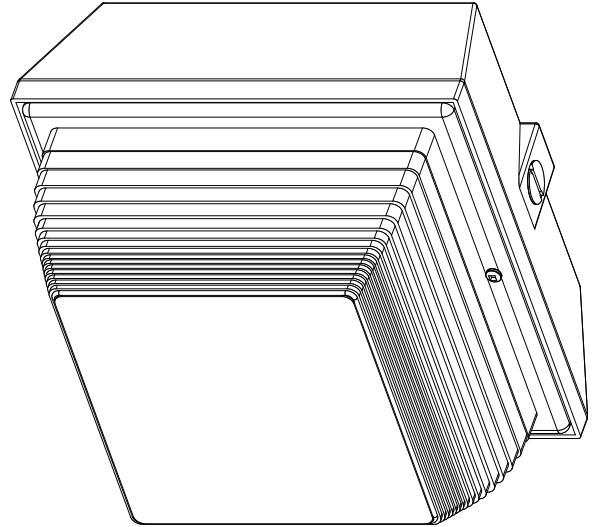


TAMBIEN

VRIS - 12" Square

STANDARD FEATURES

- Injection molded, clear prismatic polycarbonate diffuser
- Highly reflective inner white reflector and mounting plate
- Incandescent units mount directly over outlet box
- Ceiling or vertical wall mounting
- Standard finish textured black powder coat
- HPF ballast standard



Wet location luminaire



Listed to applicable CSA and UL standards

ORDERING CODE GUIDE

| SERIES | MODEL | LAMP | VOLT | COLOR | OPTIONS |
|--------|-------|------|------|-------|---------|
| VRIS | 1430 | | | | |

INC260
 PLT32
 PLT42
 2 x PL13TT
 2 x PLC18
 2 x PLT26
 2 x PLT32
 2 x PLT42
 2 x D28
 2 x D38
 35HPS
 50HPS
 70HPS
 100HPS
 150HPS
 50MH
 70MH
 100MH
 175MH ❶

120
 277 ❷
 347 ❷

TEXTURED FINISHES
 TAL = textured aluminum
 TBK = textured black
 TBZ = textured bronze
 TWH = textured white

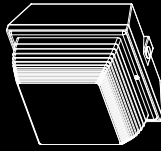
SMOOTH FINISHES
 AL = silverdillo
 BK = black
 BY = buttercup yellow
 DBZ = dark bronze
 DO = deep orange
 EG = emerald green
 RB = royal blue
 RR = rich red
 WH = white

RAL colors available

TPS = tamper resistant screws
 OPL = opal polycarbonate lens
 IHS = internal house side shield (for ceiling mount only)
 ITS = internal top shield (for wall mount only)
 IFS = internal full shield (for downlight only)
 SB = surface conduit backbox (for incandescent models)

Notes:

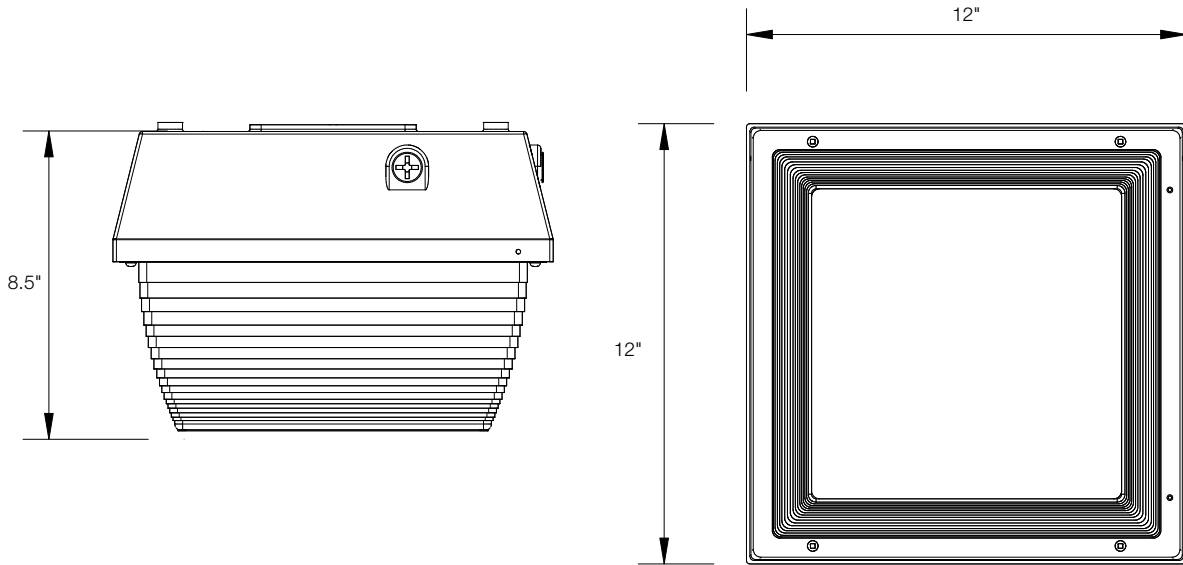
- ❶ Ceiling mount only
- ❷ Some PL lamp types may require deep back box



TAMBIEN

VRIS - 12" Square

DIMENSIONS



SHALLOW BOX FOR COMPACT FLUORESCENT

