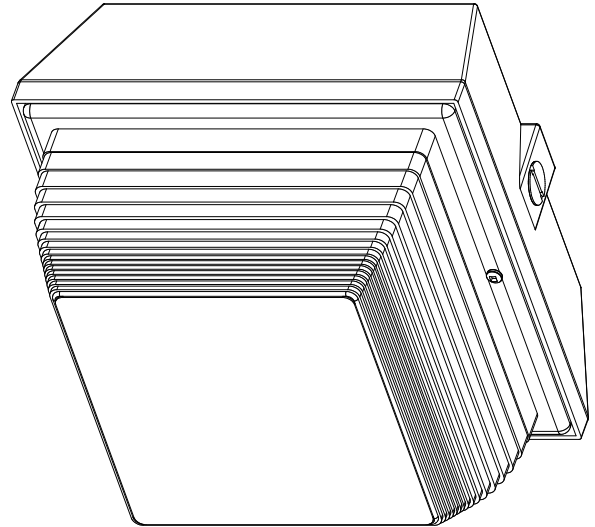


# TAMBIEN

## VRJS - 9" Square

### STANDARD FEATURES

- Injection molded, clear prismatic polycarbonate diffuser
- Optional opal polycarbonate lens
- Highly reflective inner white reflector and mounting plate
- Die-cast aluminum housing
- PL units have shallow formed steel housing, except 2PLC13, 120V
- HPF ballast standard
- Incandescent units mount directly over outlet box



Wet location luminaire



Listed to applicable CSA and UL standards

### ORDERING CODE GUIDE

SERIES	MODEL	LAMP	VOLT	COLOR	OPTIONS
VRJS	1420				

INC100  
 2 x PLC13  
 2 x PLT26  
 2 x PLT32  
 2 x PLT42  
 35HPS  
 50HPS  
 70HPS  
 100HPS  
 50MH  
 70MH  
 100MH ❶

120  
 277 ❷  
 347 ❷

TEXTURED FINISHES  
 TAL = textured aluminum  
 TBK = textured black  
 TBZ = textured bronze  
 TWH = textured white

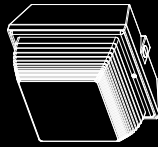
TPS = tamper resistant screws  
 OPL = opal polycarbonate lens  
 IHS = internal house side shield (for ceiling mount only)  
 ITS = internal top shield (for wall mount only)  
 IFS = internal full shield (for downlight only)

SMOOTH FINISHES  
 AL = silverdillo  
 BK = black  
 BY = buttercup yellow  
 DBZ = dark bronze  
 DO = deep orange  
 EG = emerald green  
 RB = royal blue  
 RR = rich red  
 WH = white

RAL colors available

#### Notes:

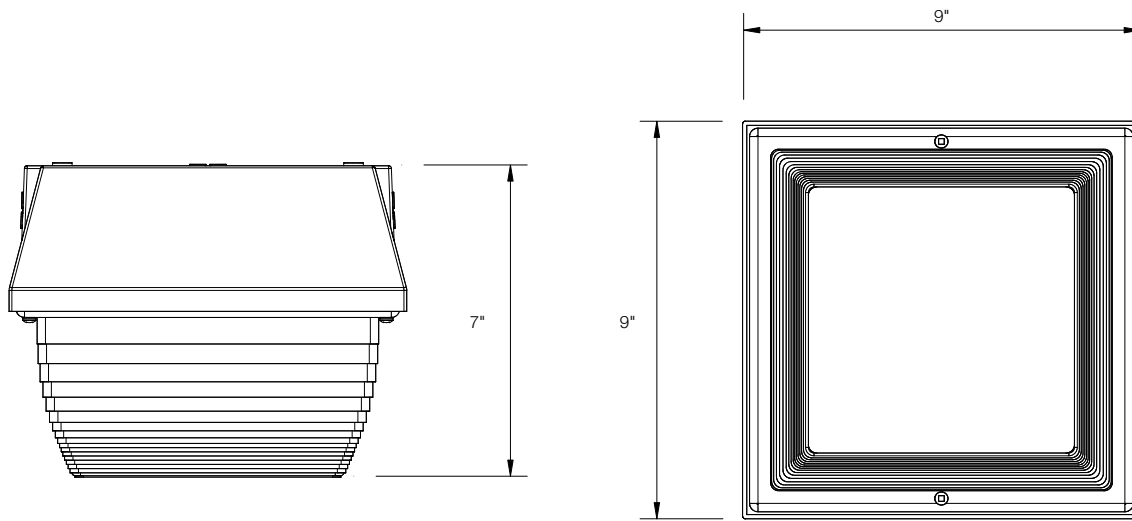
- ❶ Ceiling mount only
- ❷ Some PL lamp types may require deep back box



# TAMBIEN

VRJS - 9" Square

## DIMENSIONS



SHALLOW BOX FOR COMPACT FLUORESCENT

