

WARNING:

- RISK OF ELECTRIC SHOCK: TURN POWER OFF BEFORE SERVICING.

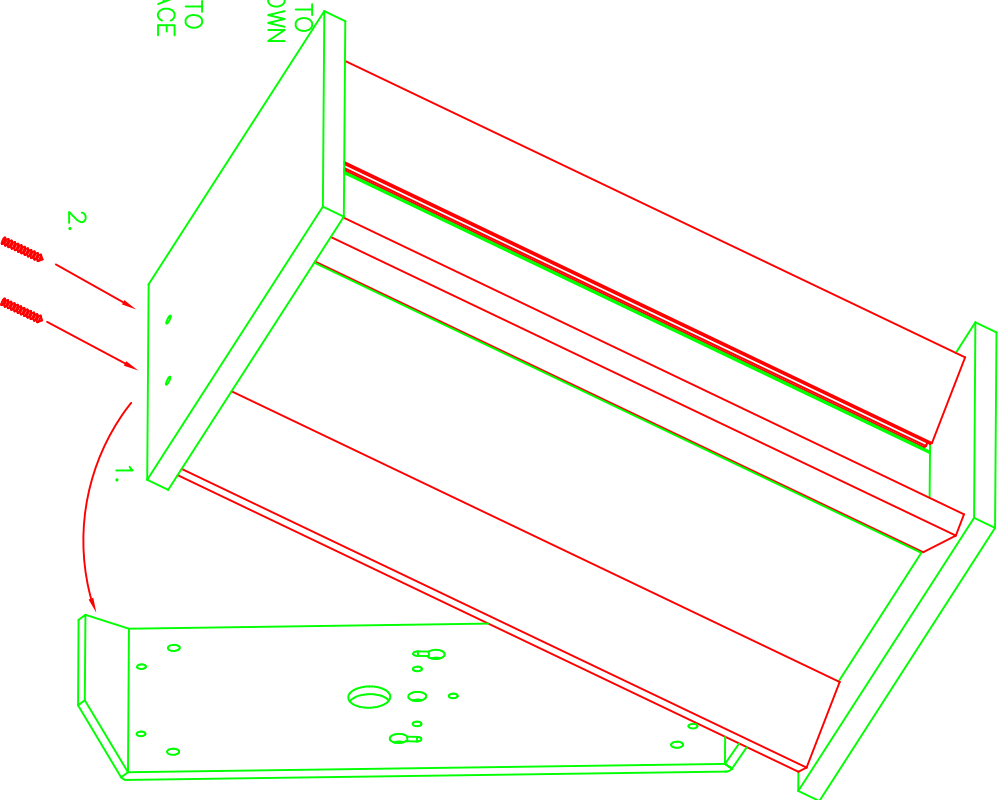
- LUMINAIRE HAS BEEN PROPERLY PACKED SO THAT NO PARTS SHOULD HAVE BEEN DAMAGED DURING TRANSIT. INSPECT TO CONFIRM.
- LUMINAIRE MUST BE INSTALLED BY A CERTIFIED ELECTRICIAN.
- FAILURE TO FOLLOW INSTALLATION INSTRUCTIONS OR MODIFICATIONS MADE TO LUMINAIRE WILL VOID THE MANUFACTURER'S WARRANTY.

THIS PRODUCT MUST BE INSTALLED IN ACCORDANCE WITH THE APPLICABLE INSTALLATION CODE BY A PERSON FAMILIAR WITH THE CONSTRUCTION AND OPERATION OF THE PRODUCT AND THE HAZARDS INVOLVED

CE PRODUIT DOIT ETRE INSTALLE SELON LE CODE D'INSTALLATION PERTINENT, PAR UNE PERSONNE QUI CONNAIT BIEN LE PRODUIT ET SON FONCTIONNEMENT AINSI QUE LES RISQUES INHERENTS

ESTE PRODUCTOR DEBE SER INSTALADO SEGUN EL CODIGO DE INSTALACION APLICABLE POR UNA PERSONA QUE CONOZCA LA CONSTRUCCION Y EL FUNCIONAMIENTO DEL PRODUCTO Y LOS RIESGOS QUE SUPONE

1. AFTER MOUNTING WALL PLATE TO SURFACE, HOOK TOP OF CAGE TO WALL BRACKET AND SWING IT DOWN AGAINST THE SURFACE.
2. SCREW IN SUPPLIED SET SCREWS TO COMPRESS CAGE AGAINST SURFACE AND COMPLETELY ATTACH CAGE.



These instructions do not purport to cover all details or variations in equipment nor to provide for every possible contingency to be met in connection with installation, operation or maintenance. Should further information be desired or should particular problems arise which are not covered sufficiently for the purchaser's purposes, the matter should be referred to PAGE Illumination

DESCRIPTION	INSTALLATION INSTRUCTIONS	SHEET	10F1	DRW BY	DAMION	DATE	07NOV19
MAINTENANCE	PLEASE FOLLOW I.E.S. SPECS FOR SCHEDULE	SCALE	N/A	APRV BY	DAMION	DATE	07NOV19

Continúa leyendo www.page.com