

# PACE ILLUMINATION INSTALLATION INSTRUCTIONS.

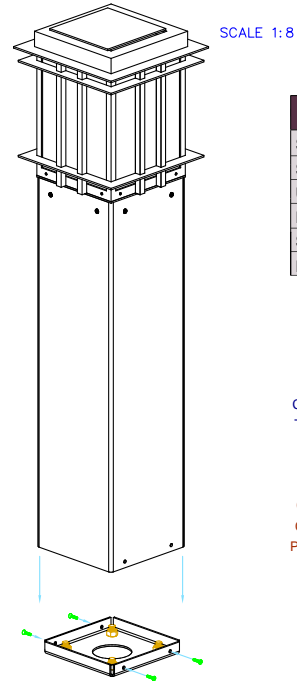
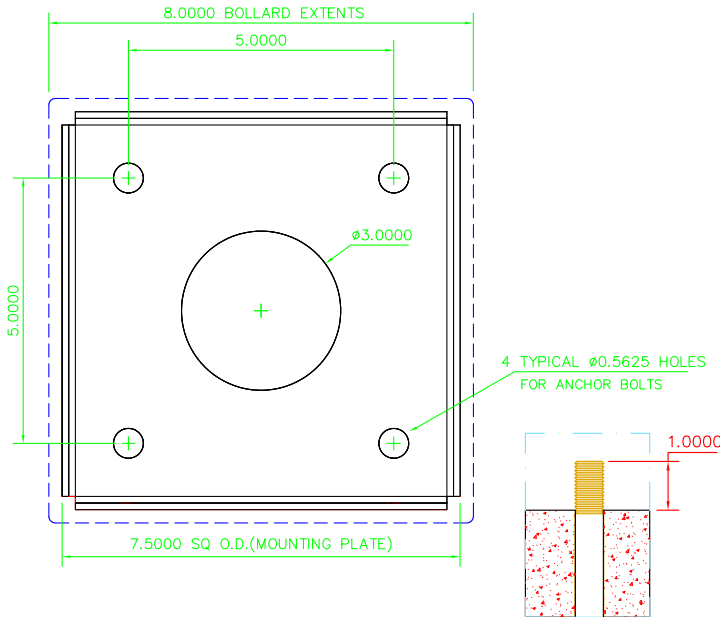
## PAMPAS

### TPBM - Bollard

These instructions do not purport to cover all details or variations in equipment, nor to provide for every possible contingency to be met in connection with installation, operation, or maintenance. Should further information be desired or should particular problems arise that are not covered sufficiently for the purchaser's purposes, the matter should be referred to PACE Illumination.

**!WARNING:**

- RISK OF ELECTRIC SHOCK:  
TURN POWER OFF BEFORE SERVICING.



TPBM MOUNTING DETAIL.	
SHEET:	M10F1
SCALE:	1: 2
UNITS:	INCHES
DRW BY:	DAMION
SIZE:	LETTER
DATE:	FEB0425

THIS PRODUCT MUST BE INSTALLED IN ACCORDANCE WITH THE APPLICABLE INSTALLATION CODE BY A PERSON FAMILIAR MTH THE CONSTRUCTION AND OPERATION OF THE PRODUCT AND THE HAZARDS INVOLVED.

CE PRODUIT DOIT ETRE INSTALLE SELON LE CODE D'INSTALLATION PERTINENT, PAR UNE PERSONNE QUI CONNAIT BIEN LE PRODUIT ET SON FONCTIONNEMENT AINSI QUE LES RISQUES INHERENTS.

- LUMINAIRE HAS BEEN PROPERLY PACKED so THAT NO PARTS SHOULDHAVE BEEN DAMAGED DURING TRANSIT. INSPECT TO CONFIRM.
- LUMINAIRE MUST BE INSTALLED BY A CERTIFIED ELECTRICIAN.
- FAILURE TO FOLLOW INSTALLATION INSTRUCTIONS OR MODIFICATIONS MADE TO LUMINAIRE WILL VOID THE MANUFACTURER'S WARRANTY.

### DIMENSIONS

#### Mounting Plate

