

# CILINDRO

EDTC - Ceiling, Pole Arm, Stem, Wall Arm Mount



PROJECT

DATE

COMMENTS

## STANDARD FEATURES

- Heavy Gauge Spun Aluminum Housing
- Three Sizes
- Aluminum Fixed or Adjustable Arms
- Clear Flat Lens Standard
- Die-Cast Clip and Hang Wall Plate
- Factory Programmable Driver



SERIES	MODEL	SIZE	LAMP	LUMENS	CCT	VOLT	CONTROL	COLOR	MOUNTING	OPTIONS
EDTC	900	S = 8"	LED	1500 to 2500 Lm	2700K to 5000K	120-277 UNV	DD = 0-10V Dimming Driver	TAL = Textured Aluminum	PAM = Pole Arm Mount WAM = Wall Arm Mount	MS = Motion Sensor
		M = 10"		1500 to 5000 Lm				TBK = Textured Black		EM = Emergency Backup
		L = 12"		1500 to 8000 Lm				TBZ = Textured Bronze		PE1 = Photocell 120V
								TWH = Textured White		PE2 = Photocell 277V
								CC = Custom Color		ADJ = Adjustable Arm
								RAL = RAL Color		FA = Fixed Arm
ORDERING INFORMATION										
SERIES	MODEL	SIZE	LAMP	LUMENS	CCT	VOLT	CONTROL	COLOR	MOUNTING	OPTIONS

ORDERING EXAMPLE: EDTC - 900 - M - LED - 4000 - 4000K - 120/277 - DD - TBK - WAM - FA

Consult factory for voltage and other lamp options. Product specifications subject to change without notice.

- |   |   |
|---|---|
| 1. Programmable drivers at the PACE factory | 4. Can be equipped with motion sensors for on/off functioning                     |
| 2. Color tunable                            | 5. Can be equipped with light sensors for dusk-to-dawn automatic on/off operation |
| 3. Capable of remote dimming                | 6. Bluetooth commissioning sensor capability for Android and iOS                  |



PACE Illumination 5500 West 111<sup>th</sup> Street | Oak Lawn, Illinois 60453 | 708-499-1700 | quotes@paceillumination.com

Although PACE has prepared the information contained in this document with all due care, PACE does not warrant or represent that the information is free from errors or omission. Whilst the information is considered to be true and correct at the date of publication, changes in circumstances after the time of publication may impact on the accuracy of the information. The information may change without notice and PACE is not in any way liable for the accuracy of any information printed and stored or in any way interpreted or used.

In the interest of product improvement, Pace reserves the right to make technical and product specification changes without notice. Consult factory for voltage and other lamp options.

REV DATE:  
10192023

# CILINDRO

EDTC - Ceiling, Pole Arm, Stem, Wall Arm Mount



## SIZES

- Small: 8" diameter
- Medium: 10" diameter
- Large: 10" diameter

## MOUNTING

- Wall Arm Mount
- Pole Arm Mount
- Wall Mount Adjustable

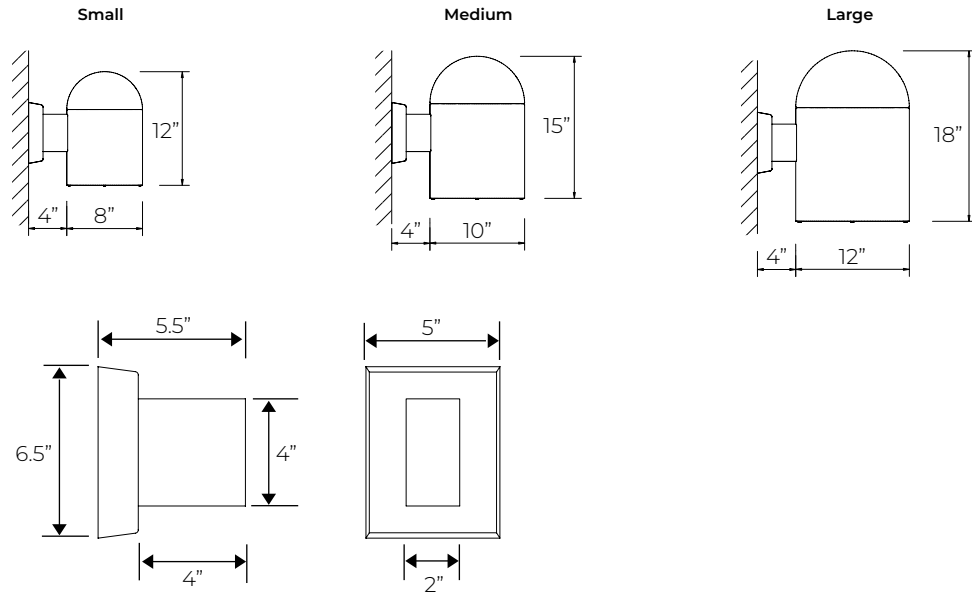
## COLOR

- Textured or smooth polyester powder coat finishes
- RAL colors available

## DIMENSIONS

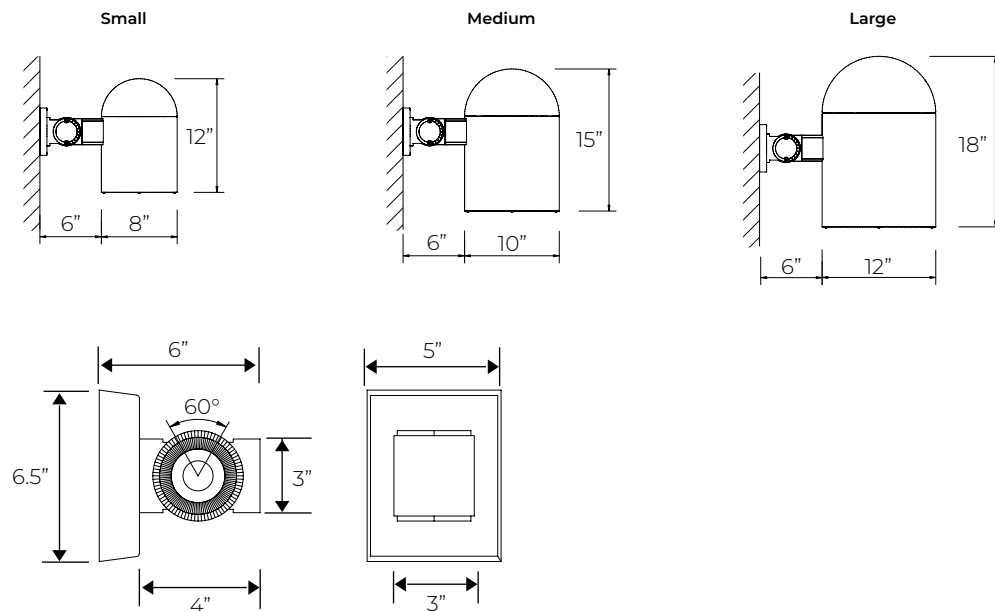
### WAM

Wall Arm Mount



### ADJ

Adjustable Arm Mount



PACE Illumination 5500 West 111<sup>th</sup> Street | Oak Lawn, Illinois 60453 | 708-499-1700 | quotes@paceillumination.com

Although PACE has prepared the information contained in this document with all due care, PACE does not warrant or represent that the information is free from errors or omission. Whilst the information is considered to be true and correct at the date of publication, changes in circumstances after the time of publication may impact on the accuracy of the information. The information may change without notice and PACE is not in any way liable for the accuracy of any information printed and stored or in any way interpreted or used.

In the interest of product improvement, Pace reserves the right to make technical and product specification changes without notice. Consult factory for voltage and other lamp options.

REV DATE:  
10192023