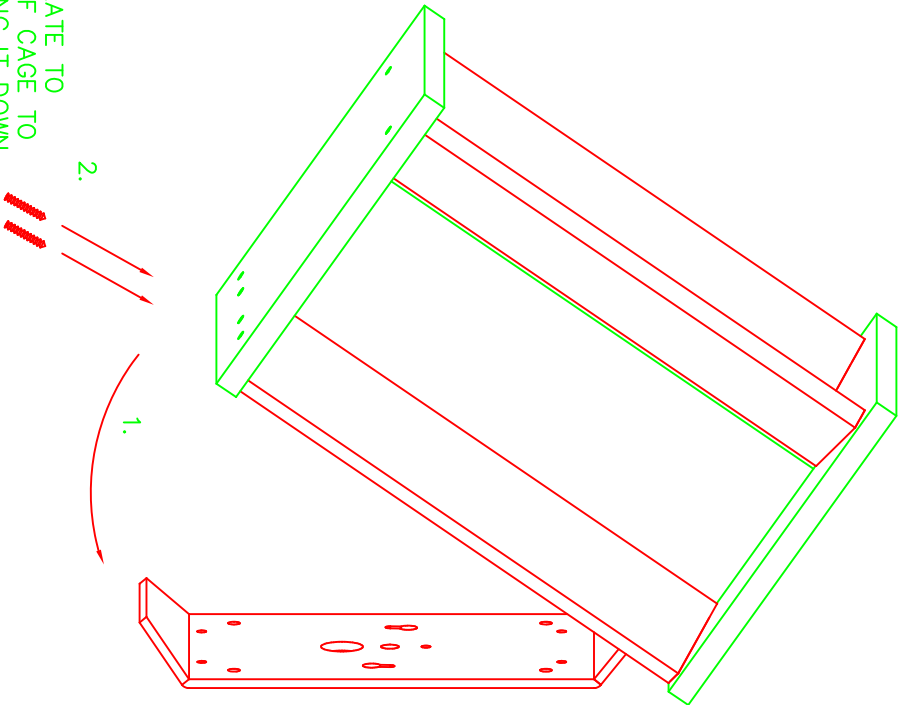


1. AFTER MOUNTING WALL PLATE TO SURFACE, HOOK TOP OF CAGE TO WALL BRACKET AND SWING IT DOWN AGAINST THE SURFACE.
2. SCREW IN SUPPLIED SET SCREWS TO COMPRESS CAGE AGAINST SURFACE AND COMPLETELY ATTACH CAGE.



|       |       |                       |              |                       |       |        |         |        |
|-------|-------|-----------------------|--------------|-----------------------|-------|--------|---------|--------|
| REV#: | DATE: | DESCRIPTION / INITIAL | PRODUCT CODE | TESSERA 12" WALLMOUNT | UNITS | INCHES | SIZE    | LETTER |
|       |       |                       | DESCRIPTION  | INSTRUCTIONS          | SHEET | SCALE  | APRV BY | DATE   |
|       |       |                       | MATERIAL     | N/A                   |       |        |         |        |
|       |       |                       |              |                       |       |        |         |        |
|       |       |                       |              |                       |       |        |         |        |
|       |       |                       |              |                       |       |        |         |        |
|       |       |                       |              |                       |       |        |         |        |
|       |       |                       |              |                       |       |        |         |        |
|       |       |                       |              |                       |       |        |         |        |
|       |       |                       |              |                       |       |        |         |        |

Drawn by DAMION  
DES BY  
DATE 08/JAN/30  
DATE  
DATE